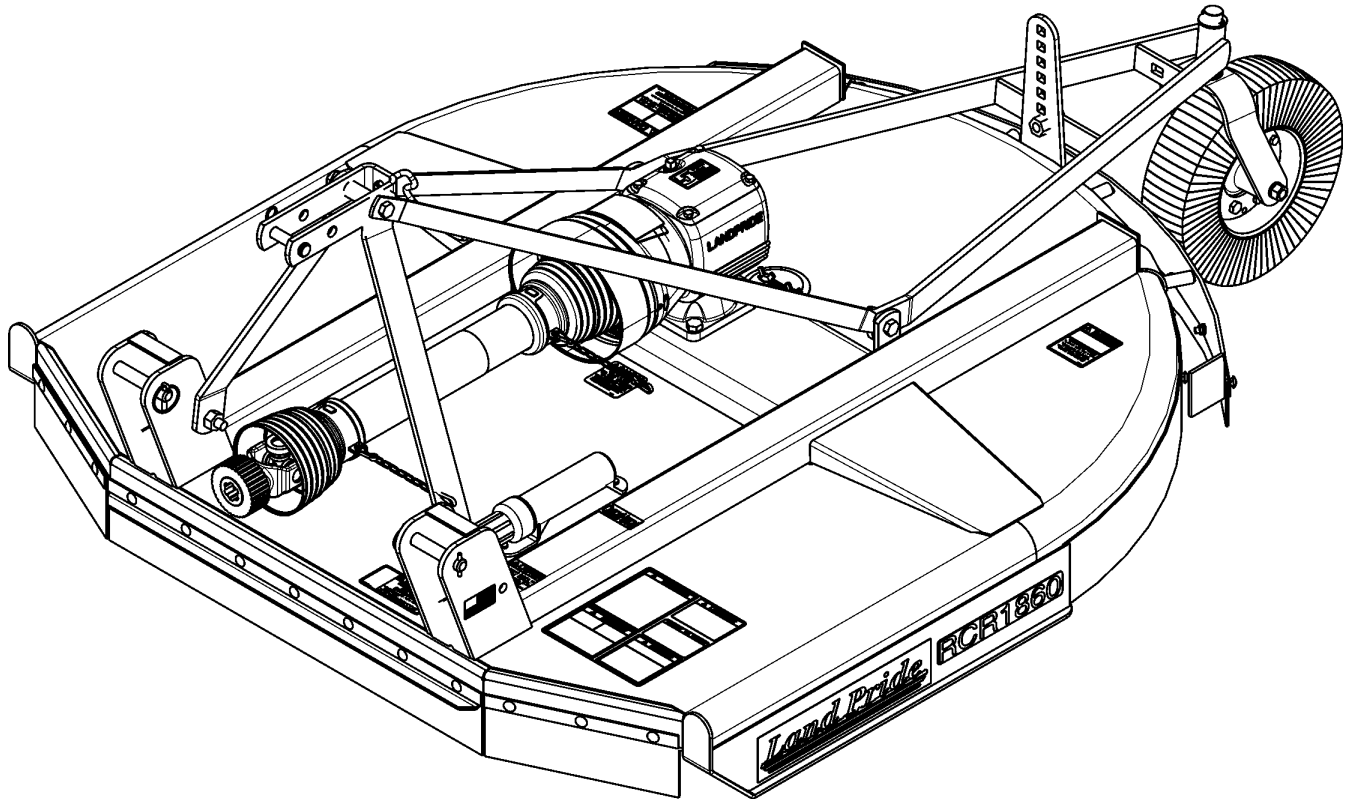


Rotary Cutter

RCR1860 & RCR1872



21416

312-849P Parts Manual



Read the Operator's manual entirely. When you see this symbol, the subsequent instructions and warnings are serious - follow without exception. Your life and the lives of others depend on it!

© Copyright 2008 Printed 01/31/08

Cover photo may show optional equipment not supplied with standard unit.





Table of Contents

Section 1: Introduction.....	4
Using This Manual.....	4
Manual Replacement Information.....	4
Manual Revisions.....	4
Touch-up Paint.....	4
Hardware Legend.....	5
Replacement Hardware.....	5
Serial Numbers.....	5
Part Number Service Coding.....	5
Section 2: Decks.....	6
Deck and Rear Deflector.....	6
Hitch and Gauge Wheel Mount.....	8
Section 3: Blade Drive.....	10
Blade Drive.....	10
Driveline Slip Clutch (1344014).....	12
Driveline W/ Clutch (826-022C).....	14
Driveline W/ Clutch (826-344C).....	16
Driveline W/ Shear Bolt (826-020C).....	18
Driveline W/ Shear Bolt (826-343C).....	20
Gearbox (826-383C).....	22
Gearbox (826-384C).....	24
Section 4: Options.....	26
Front Chain Guard.....	26
Front Rubber Guard.....	28
Rear Chain Guard.....	30
Rear Rubber Guard.....	32
Skid Shoe Kit.....	34
Tail Wheel and Yoke.....	36
Section 5: Labels.....	38
Label Placement.....	38
Part Number Index.....	40

© Copyright 2008. All rights reserved.

Land Pride provides this publication “as is” without warranty of any kind, either expressed or implied. While every precaution has been taken in the preparation of this manual, Land Pride assumes no responsibility for errors or omissions. Neither is any liability assumed for damages resulting from the use of the information contained herein. Land Pride reserves the right to revise and improve its products as it sees fit. This publication describes the state of this product at the time of its publication, and may not reflect the product in the future. The illustrations in this manual are not intended for safe and proper assembly or disassembly of equipment. The illustrations are intended for ordering parts only.

Land Pride is registered trademark.

All other brands and product names are trademarks or registered trademarks of their respective holders.

Printed in the United States of America.



Alphabetized Table of Contents

B	
Blade Drive.....	10
D	
Deck and Rear Deflector.....	6
Driveline Slip Clutch (1344014).....	12
Driveline W/ Clutch (826-022C).....	14
Driveline W/ Clutch (826-344C).....	16
Driveline W/ Shear Bolt (826-020C).....	18
Driveline W/ Shear Bolt (826-343C).....	20
F	
Front Chain Guard.....	26
Front Rubber Guard.....	28
G	
Gearbox (826-383C).....	22
Gearbox (826-384C).....	24
H	
Hitch and Gauge Wheel Mount.....	8
L	
Label Placement.....	38
R	
Rear Chain Guard.....	30
Rear Rubber Guard.....	32
S	
Skid Shoe Kit.....	34
T	
Tail Wheel and Yoke.....	36

General Information

Using This Manual

This manual is divided into sections. The first section contains General Information. The remaining sections divide the machine into segments (i.e. Frames, Drives, Hydraulics, etc.) which illustrate and list all parts. A Parts Number Index is located at the back of the book.

The Land Pride parts in this manual are specially designed for this machine and should be replaced with Land Pride parts only.

The information in this manual is current at time of printing. Some parts may change to assure top performance.

Right-hand and left-hand as used in this manual are determined by facing the direction the machine will travel while in use.

Below is an example of two facing pages from a parts manual. Familiarize yourself with the type of information contained on these pages.

Manual Replacement Information

Replacement manuals are available. Refer to our website at www.landpride.com, the Land Pride Support Center CD or e-mail us at lit@landpride.com for additional information. Our website continues to provide the most up-to-date manuals available.

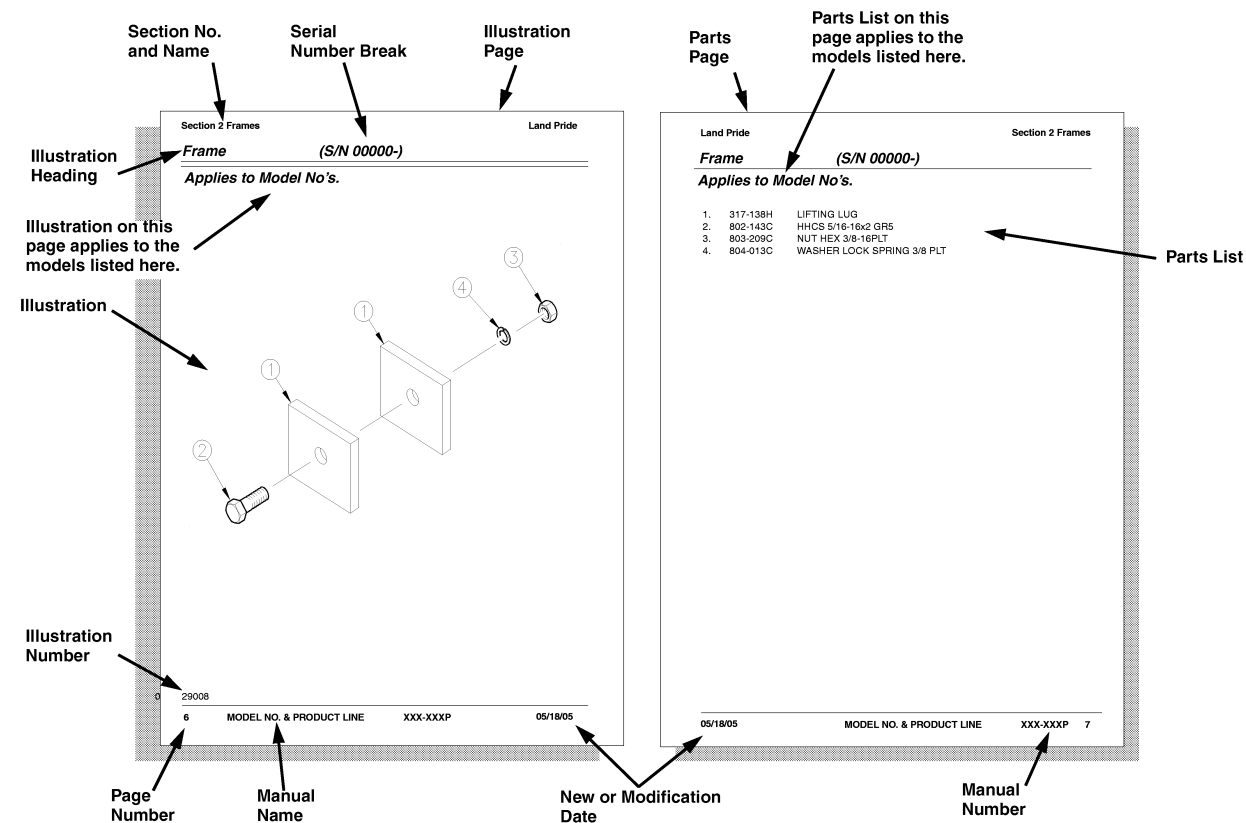
Touch-up Paint

Repaint parts where paint is worn or scratched to prevent rust. Aerosol cans and touch-up bottles with brush applicator are available through your local dealer. Land Pride color descriptions and part numbers are listed below. Also available are quart and gallon size paints. Add QT or GL to end of the Aerosol P/N.

Color	Product ¹	Aerosol	Touch-Up
Gloss Black	LP	821-032C	821-032CTU
Medium Gloss Black	UV	821-053C	821-053CTU
Beige	LP	821-011C	821-011CTU
Green	SLP	821-058C	821-058CTU
Orange	SLP	821-066C	821-066CTU
Red	SLP/UV	821-054C	821-054CTU
Blue	SLP/UV	821-067C	821-067CTU
Dark Green Sparkle	UV	821-055C	821-055CTU
Gondo Forest Green	UV	821-057C	821-057CTU
Brite Yellow ²	UV	821-056C	821-056CTU
Gondo Yellow ³	UV	821-059C	821-059CTU

Notes:

- 1 LP = All Land Pride Products except Utility Vehicles
SLP = Select Land Pride Products that are available in optional Green, Orange, Red, & Blue colors.
UV = Utility Vehicles
- 2 Used on Trekers and (Runabouts with S/N 407628-)
- 3 Used on Gondos and (Runabouts with S/N 407629+)



General Information

Hardware Legend

AR	As Required
BLADE	Blade Bolt
C	Cap Screw
CP	Cotter Pin
CPHSSS	Cup Point Hex Socket Set Screw
CPSHSS	Cup Point Square Head Set Screw
CPSQHSS	Cup Point Square Head Set Screw
CRFCHMS3	Cross Recess Flat Countersunk Head Machine Screw
CRPHMS	Cross Recess Pan Head Machine Screw
CRPHTFS	Cross Recess Pan Head Thread Forming
CRRHMS	Cross Recess Round Head Machine Screw
CRTHMS	Cross Recess Truss Head Machine Screw
CSNB	Countersunk Square Neck Bolt
FHMS	Flat Head Machine Screw
FTC	Full Thread Cap Screw
H	Hex Nut
HCLN	Hex Center Lock Nut
HFLCS	Hex Flange Lock Cap Screw
HFS	Hex Flange Screw
HFSLN	Hex Flange Serrated Lock Nut
HFSS	Hex Flange Serrated Screw
HHCS	Hex Head Cap Screw or Metric Bolt
HSBHCS	Hex Socket Button Head Cap Screw
HSFCHCS	Hex Socket Flat Countersunk Head Cap Screw
HSHCS	Hex Socket Head Cap Screw
HSSS	Hex Socket Head Screw
HTLN	Hex Top Lock Nut
HWHCS	Hex Washer Head Cap Screw

HWHMS	Hex Washer Head Machine Screw
HXBHCS	Hex Socket Button Head Cap Screw
J	Hex Jam Nut
JIC	37 Degree Tapered Thread
L	Helical Spring Lock Washer
LUG	Lug Bolt
NFC	National Fine Cap Screw
NPSM	National Pipe Straight Mechanical
NPTF	National Pipe Taper Fuel
P	Wide Plain Washer
PHMS	Pan Head Machine Screw
PLOW	Plow Bolt
RHMS	Round Head Machine Screw
RHSNB	Round Head Square Neck Bolt
SCREW LEVELING	Leveling Screw
SCREW THUMB	Thumb Screw
SCREW WELD	Weld Screw
SFCHMS	Slotted Flat Countersunk Head Machine Screw
SFHMS	Slotted Fillister Head Machine Screw
SP	Special
SP SCREW	Special Screw
SQHSS	Square Head Set Screw
SRHMS	Slotted Round Head Machine Screw
SSS	Socket Set Screw
STCS	Self Tapping Cap Screw
STHMS	Slotted Truss Head Machine Screw
WHEEL	Wheel Studs and Hub Long Bolts
WING	Wing Bolt

Replacement Hardware

The **Hardware Legend** above lists hardware abbreviations used in the parts list. All bolts and nuts are Grade 5 unless otherwise noted. The use of improper grades of hardware can result in personal injury, damage to equipment, or loss of property.

Colored Replacement Parts

Land Pride offers replacement parts in factory standard colors and also on select models in Green, Orange, Red and Blue. Because of the variety of colors available, special attention must be given to the part number to prevent ordering the wrong replacement part.

A suffix number corresponding to one of the colors below must be added at the end of Land Pride's part number when ordering a replacement part with that color.

81 **Green** **83** **Red**
82 **Orange** **84** **Blue**

For example, if you are ordering a replacement part with part number 555-555C and the part you need is red, then add the suffix 83 to the end of the number to make the part number read 555-555C83. Parts ordered without a suffix number will be supplied in factory standard colors.

Black Replacement Parts

Some parts are factory standard black and some must be special ordered black. If your part is special ordered black, a second part number with the additional suffix number 85 on the end will be available. In this situation you must order that part with the suffix number for it to be black. Parts that are factory standard black will not have the suffix number.

Part Number Service Coding

Within the parts list some part numbers are coded for revisions and interchangeability. See notations in revision column.

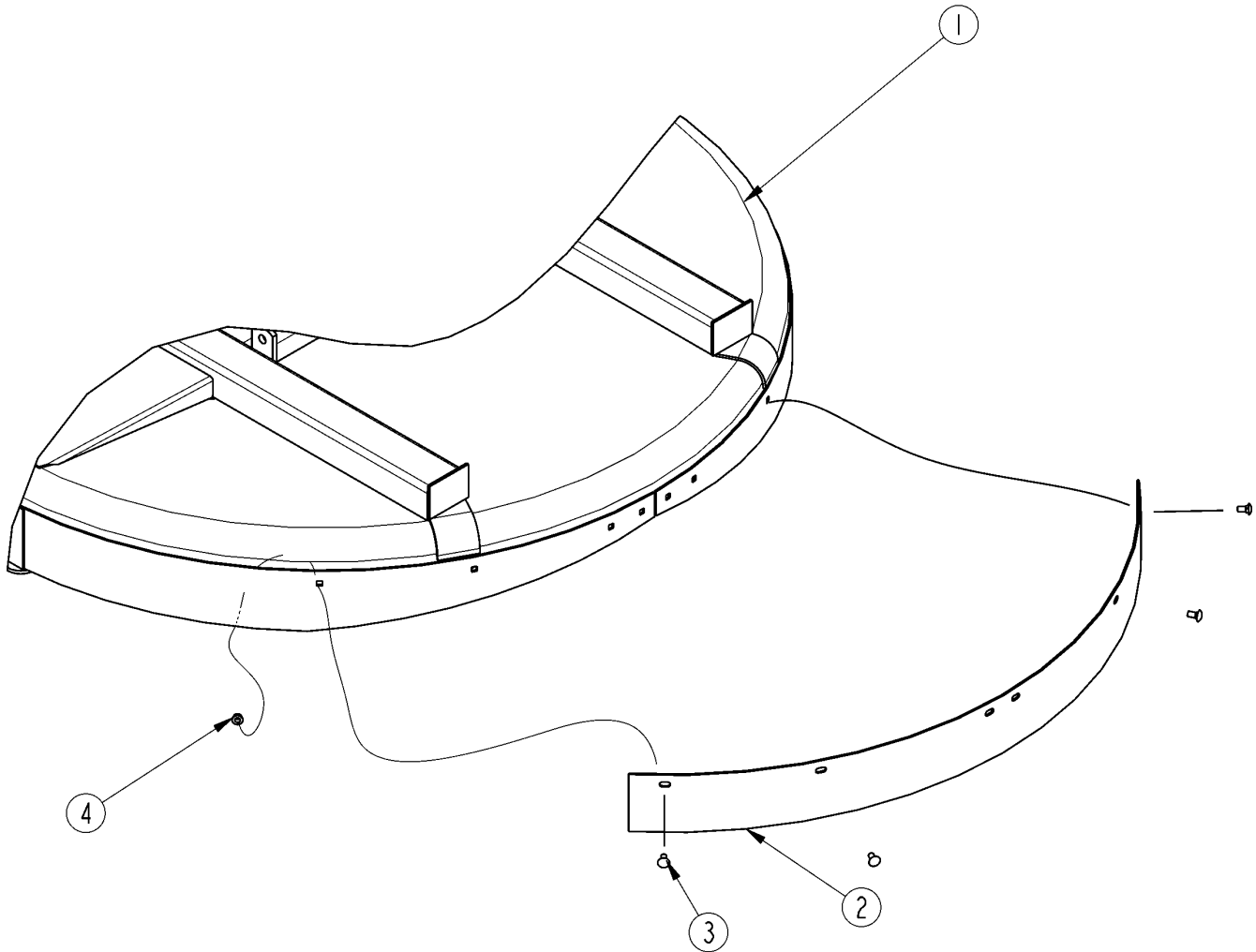
Serial Numbers

Always use the serial and model number when ordering parts. Refer to the Operator's Manual for serial number plate location.

- (S/N 20001+) Includes serial numbers 20001 and above (to the latest number)
- (S/N 10001 to 20000) Includes serial numbers between and including 10001 and 20000
- (S/N 10000-) Includes serial numbers 10000 and below (to the earliest number)

Deck and Rear Deflector

Applies to RCR1860, RCR1872



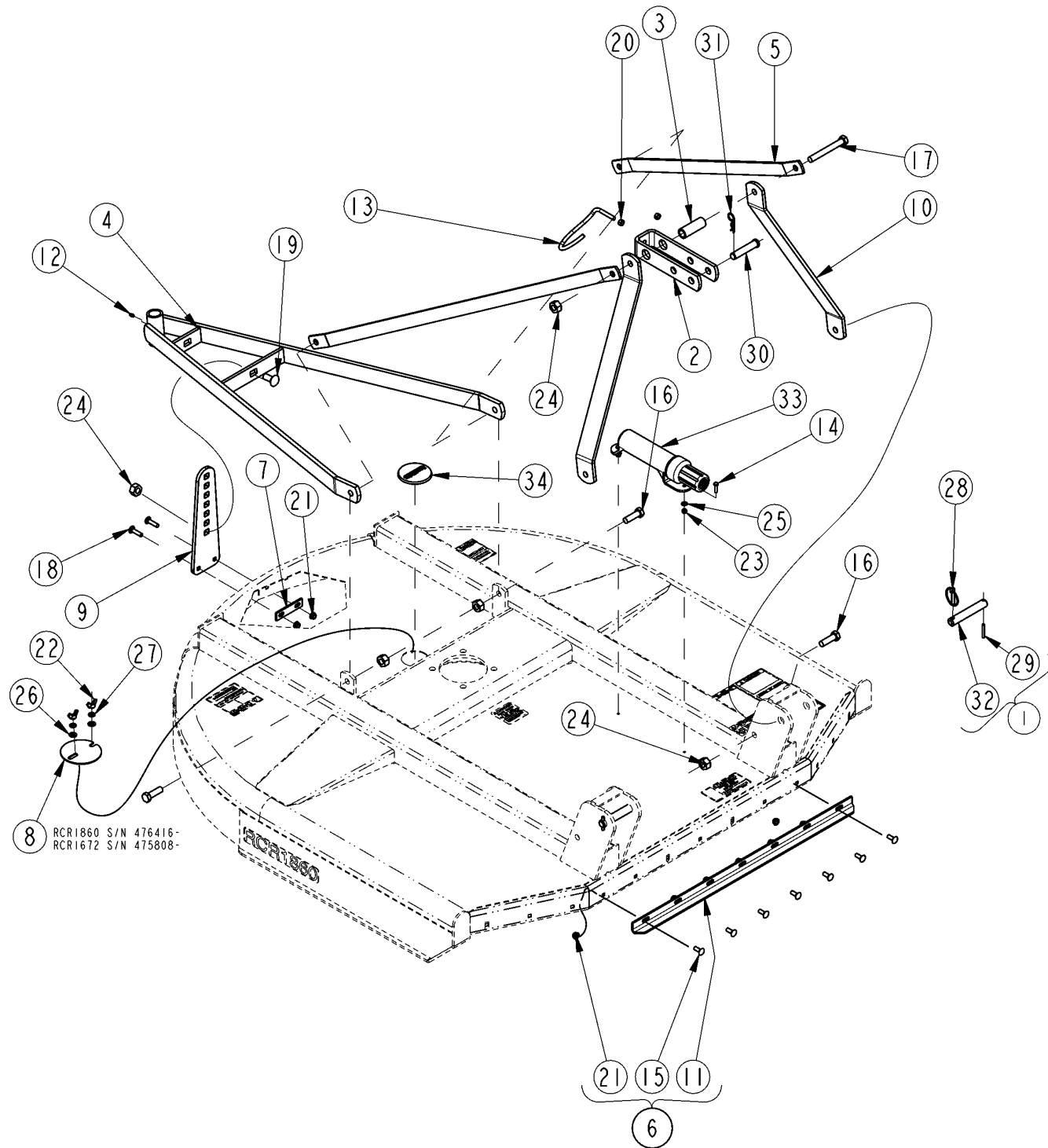
21405

Deck and Rear Deflector**Applies to RCR1860, RCR1872**

Ref	Part No.	Part Description	Comments	Revision
	dwg21405	Drawing Image Number		
1.	312-832H	RCR1860 DECK WELDMENT		
1.	312-832H81	RCR1860 DECK WELDMENT GREEN		
1.	312-832H82	RCR1860 DECK WELDMENT ORANGE		
1.	312-832H83	RCR1860 DECK WELDMENT RED		
1.	312-832H84	RCR1860 DECK WELDMENT BLUE		
1.	312-837H	RCR1872 DECK WELDMENT		
1.	312-837H81	RCR1872 DECK WELDMENT GREEN		
1.	312-837H82	RCR1872 DECK WELDMENT ORANGE		
1.	312-837H83	RCR1872 DECK WELDMENT RED		
1.	312-837H84	RCR1872 DECK WELDMENT BLUE		
2.	326-231D	REAR BAND DEFLECTOR	RCR1860	
2.	326-242D	REAR BAND DEFLECTOR	RCR1872	
3.	802-149C	RHSNB 3/8-16X3/4 GR5	2 center bolts removed S/N 458333+	
4.	803-198C	NUT HEX WHIZ 3/8-16 PLT	2 center nuts removed S/N 458333+	

Hitch and Gauge Wheel Mount

Applies to RCR1860, RCR1872



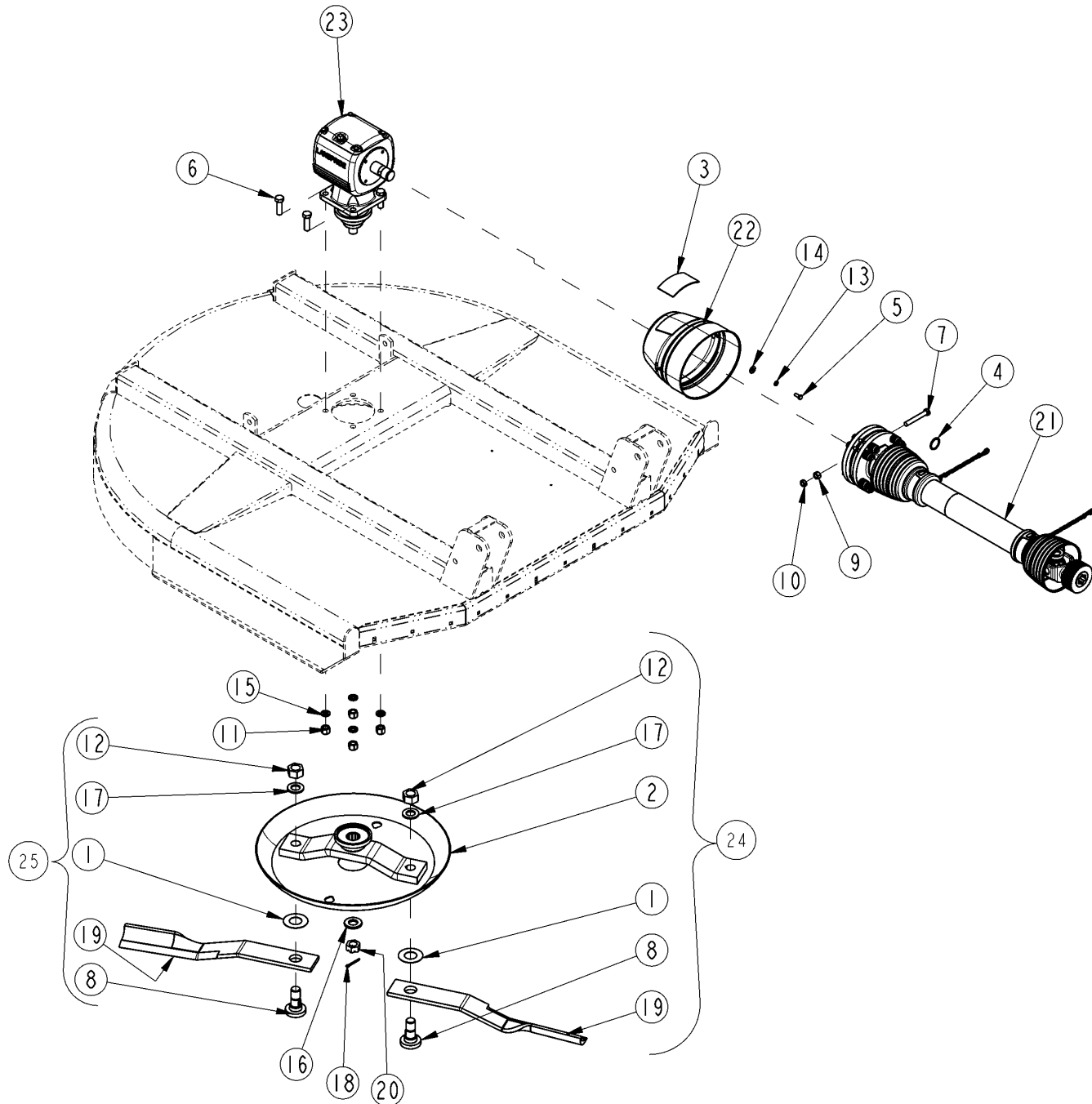
21399

Hitch and Gauge Wheel Mount**Applies to RCR1860, RCR1872**

Ref	Part No.	Part Description	Comments	Revision
	dwg21399	Drawing Image Number		
1.	303-017S	LOWER HITCH PIN 7/8 X 5 5/8	S/N 505280+	
2.	312-609D	PIVOTING UPPER HITCH		
3.	312-610D	SPACER TUBE 1 1/8 OD X 3 1/8		
4.	312-833H	WLDMT. GAUGE WHEEL MAINFRAME		
5.	312-849D	REAR BRACE	RCR1860	
5.	326-210D	REAR BRACE	RCR1872	
6.	312-850A	BREAKER BAR EXT. KIT RCR1872	RCR1872 Only S/N 418482 to 420159	
7.	312-851D	GAUGE WHEEL SUPPORT FLAT		
8.	312-886D	ACCESS COVER PLATE	RCR1860 S/N 476416-, RCR1872 S/N 475808-	
8.	312-886D81	ACCESS COVER PLATE GREEN		
8.	312-886D82	ACCESS COVER PLATE ORANGE		
8.	312-886D83	ACCESS COVER PLATE RED		
8.	312-886D84	ACCESS COVER PLATE BLUE		
9.	326-178D	TAILWHEEL ADJUSTING BRACKET		
10.	326-209D	A-FRAME BRACE		
11.	326-245D	BREAKER BAR EXTENSION		
12.	800-080C	GREASE ZERK 1/4-28 THD FORMING		
13.	800-320C	DRIVELINE HOOK HANGER W/HRDWR	Includes 2 Ea. of Item 20	
14.	802-005C	HHCS 1/4-20X1 GR5		
15.	802-015C	RHSNB 3/8-16X1 GR5		
16.	802-055C	HHCS 5/8-11X2 GR5		
17.	802-062C	HHCS 5/8-11X5 GR5		
18.	802-453C	RHSNB 3/8-16X1 1/2 GR5		
19.	802-464C	RHSNB 5/8-11X1 1/2 GR5 PLT		
20.	803-014C	NUT HEX 3/8-16 PLT		
21.	803-198C	NUT HEX WHIZ 3/8-16 PLT		
22.	803-231C	NUT WING 3/8-16 PLT	RCR1860 S/N 476416-, RCR1872 S/N 475808-	
23.	803-255C	NUT HEX NYLOCK 1/4-20		
24.	803-271C	NUT HEX TOP LOCK 5/8-11 PLT		
25.	804-007C	WASHER FLAT 1/4 SAE PLT		
26.	804-012C	WASHER FLAT 3/8 SAE PLT	RCR1860 S/N 476416-, RCR1872 S/N 475808-	
27.	804-013C	WASHER LOCK SPRING 3/8 PLT	RCR1860 S/N 476416-, RCR1872 S/N 475808-	
28.	805-015C	PIN LINCH 5/16 X 1 3/4		
29.	805-041C	PIN ROLL 1/4X1 3/4	S/N 505280+	
29.	805-126C	PIN LINCH 1/4 X 1 3/4 PLT	S/N 505279-	
30.	805-142C	PIN CLEVIS 3/4 X 3 1/2 PLT		
31.	805-143C	PIN HAIR COTTER .120 PLT		
32.	805-207C	PIN 7/8 OD X 4 15/32 USABLE		
33.	816-504C	MANUAL STORAGE CONTAINER		
34.	840-273C	PLUG LP 3" ID RUBBER	RCR1860 S/N 476417+, RCR1872 S/N 475809+	

Blade Drive

Applies to RCR1860, RCR1872



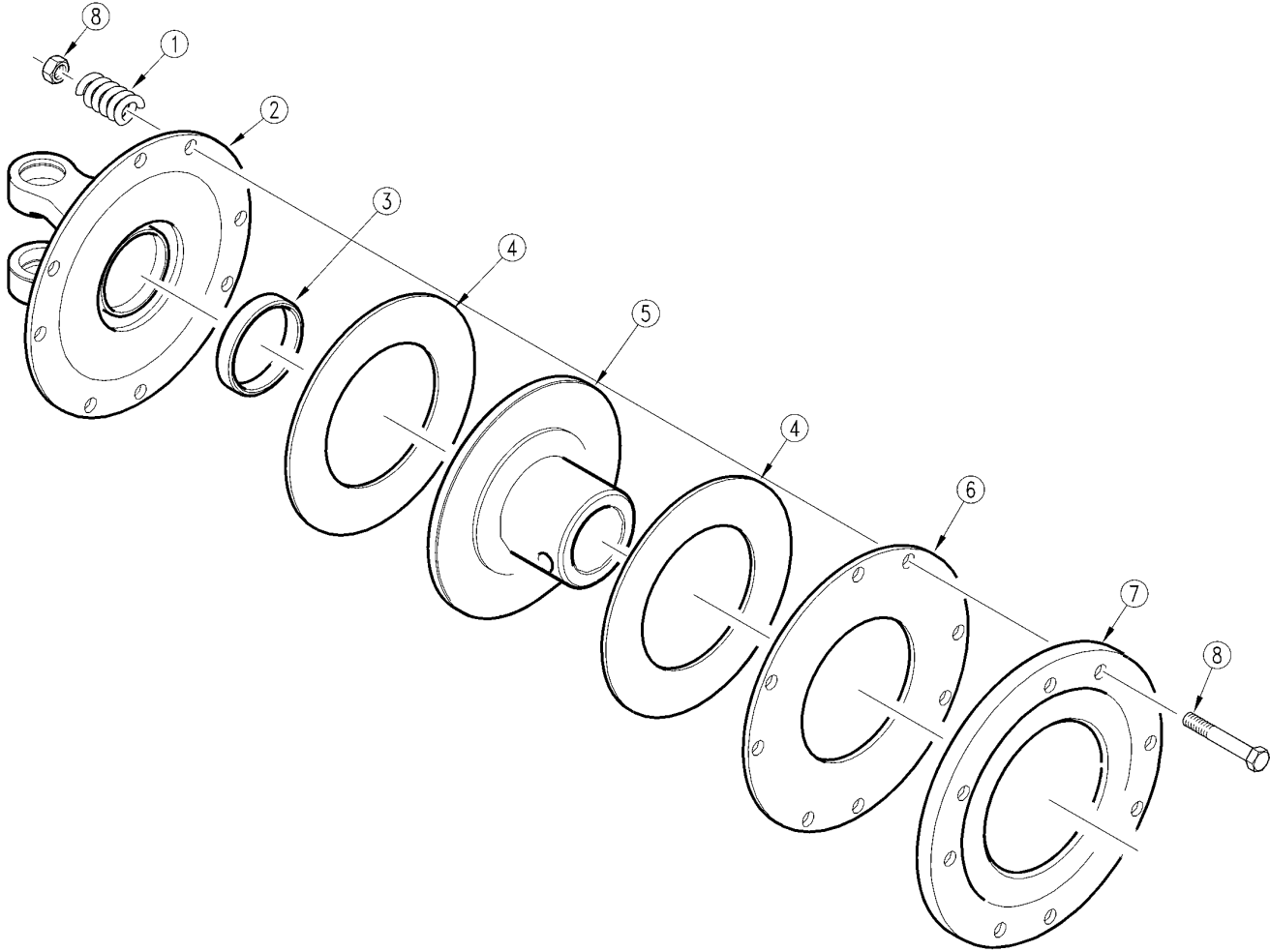
21406

Blade Drive**Applies to RCR1860, RCR1872**

Ref	Part No.	Part Description	Comments	Revision
	dwg21406	Drawing Image Number		
1.	312-082D	BLADE SPACER 18 GA	As Required	
1.	312-075D	BLADE SPACER 16 GA	As Required	
1.	312-089D	BLADE SPACER 20 GA.	As Required	
1.	312-808D	BLADE SPACER 24GA	As Required	
2.	312-815H	15 DISHPAN WLDMT SM.HUB(COMER)	RCR1860	
2.	312-841H	WLDMT 15" DISHPAN SM. HUB COME	RCR1872	
3.	38/11	MCCN ACCESS COVER		
4.	800-079C	SNAP RING EXT 1 3/8 5100-137	Used only with shear bolt driveline	
5.	802-558C	HHCS 8MM X 40MM STD PITCH		
6.	802-055C	HHCS 5/8-11X2 GR5		
7.	802-265C	HHCS 1/2-13X3 1/2 GR8	Clutch Driveline	
7.	802-264C	HHCS 1/2-13X3 1/2 GR2	Shear Bolt Driveline	
8.	802-277C	BLADE BOL 1 1/8-12X3 7/16 W/KY		
9.	803-020C	NUT HEX 1/2-13 PLT		
10.	803-036C	NUT HEX JAM 1/2-13 PLT		
11.	803-148C	NUT HEX NYLOCK 5/8-11 PLT		
12.	803-170C	NUT HEX TOP LOCK 1 1/8-12 PLT.		
13.	804-009C	WASHER LOCK SPRING 5/16 PLT		
14.	804-010C	WASHER FLAT 5/16 USS PLT		
15.	804-022C	WASHER LOCK SPRING 5/8 PLT		
16.	804-070C	FLAT WASHER 1 SPECIAL		
17.	804-147C	WASHER FLAT 1 HARD ASTM436 PN		
18.	805-017C	PIN COTTER 3/16 X 1 3/4 PLT		
19.	820-199C	CUTTER BLADE 1/2 X3X31 CCW	RCR1872	
19.	820-198C	CUTTER BLADE 1/2 X3X25 CCW	RCR1860	
20.	8.2.2.00515	CO NUT, CASTLE M24 X 2		
21.	826-022C	DRIVELINE 2300 X 38 W/CLUTCH	RCR1860	
21.	826-344C	PTO SLIP CLUTCH CAT3 X 43	RCR1872	
21.	826-020C	PTO 2300 X 38 SHEAR BOLT	RCR1860	
21.	826-343C	PTO SHEAR BOLT CAT3 X 43	RCR1872	
22.	826-240C	SMALL SHAFT CONE W ACCESS DOOR		
23.	826-383C	GBOX RC16 1.38 RD.1:1.93 STD.	RCR1860	
23.	826-383C81	GBOX RC16 1.38 RD.1:1.93 STD. GREEN		
23.	826-383C82	GBOX RC16 1.38 RD.1:1.93 STD. ORANGE		
23.	826-383C83	GBOX RC16 1.38 RD.1:1.93 STD. RED		
23.	826-383C84	GBOX RC16 1.38 RD.1:1.93 STD. BLUE		
23.	826-384C	GBOX RC16 1.38 RD.1:1.47 STD.	RCR1872	
23.	826-384C81	GBOX RC16 1.38 RD.1:1.47 STD. GREEN		
23.	826-384C82	GBOX RC16 1.38 RD.1:1.47 STD. ORANGE		
23.	826-384C83	GBOX RC16 1.38 RD.1:1.47 STD. RED		
23.	826-384C84	GBOX RC16 1.38 RD.1:1.47 STD. BLUE		
24.	312-557S	60"BLADE CARRIER ASSY.	RCR1860	
24.	312-579S	72"BLADE CARRIER ASSEMBLY		
25.	326-039A	RCR16-1860 MATCHED BLADE KIT	Includes 2 ea. of All Item #1's & 2 ea of 8, 13, 18 & 20	
25.	326-040A	RCR16-1872 MATCHED BLADE KIT	Includes 2 ea. of All Item #1's & 2 ea of 8, 13, 18 & 20	

Driveline Slip Clutch (1344014)

Applies to RCR1860, RCR1872



15203

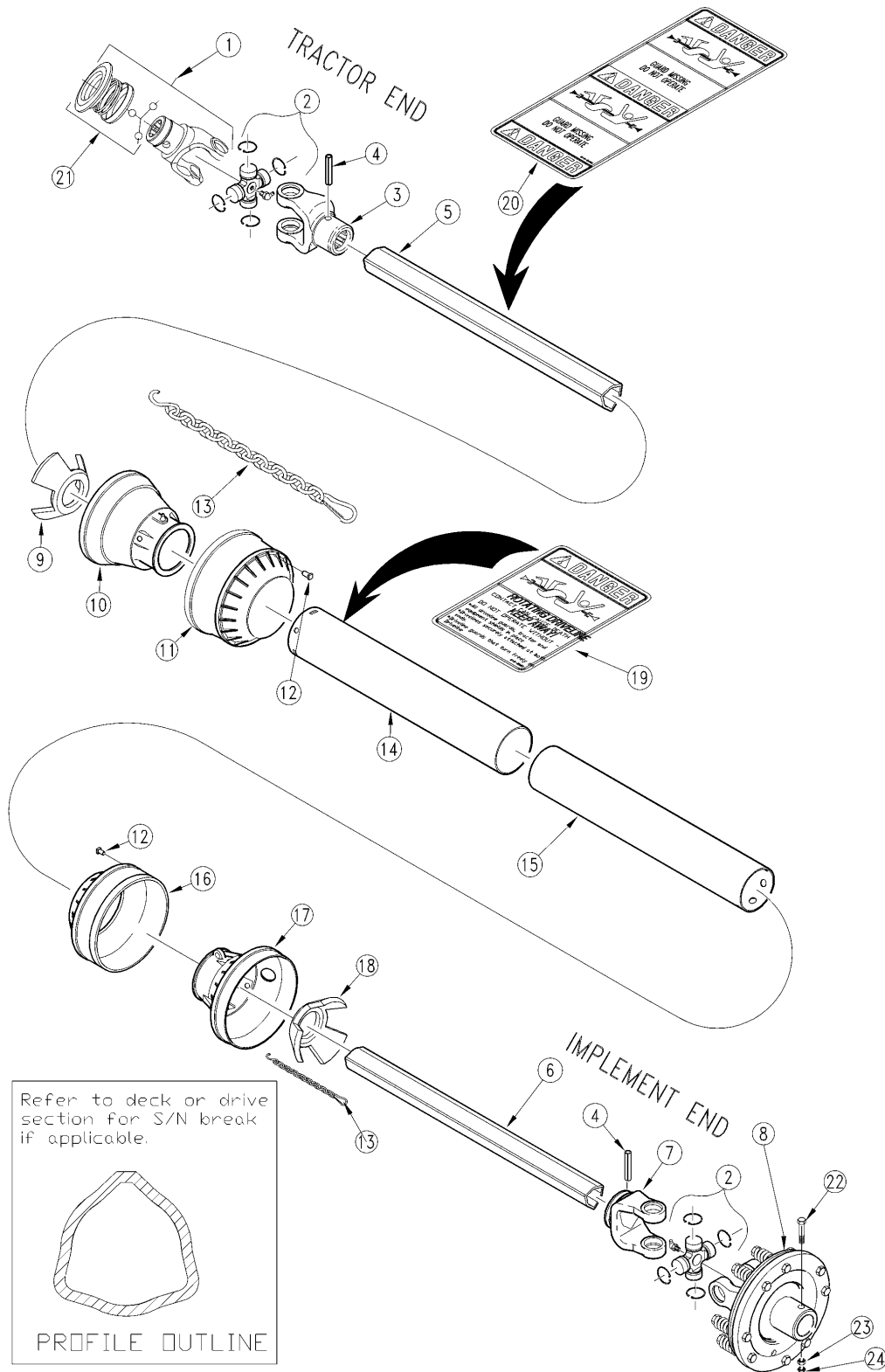
Driveline Slip Clutch (1344014)

Applies to RCR1860, RCR1872

Ref	Part No.	Part Description	Comments	Revision
	dwg15203	Drawing Image Number		
	1344014	EC TORQ LMTR 2 FRICTION DISC		
1.	1215012	EC CLUTCH SPRING		
2.	1704014	EC FLANGE WITH YOKE		
3.	1705009	EC CLUTCH BUSHING		
4.	1805010	EC FRICTION DISK		
5.	1704015	EC HUB WITH FLANGE		
6.	1135008	EC INNER DISK		
7.	1135007	EC PRESSURE DISK		
8.	6691080	EC COMPLETE BOLT		

Driveline W/ Clutch (826-022C)

Applies to RCR1860



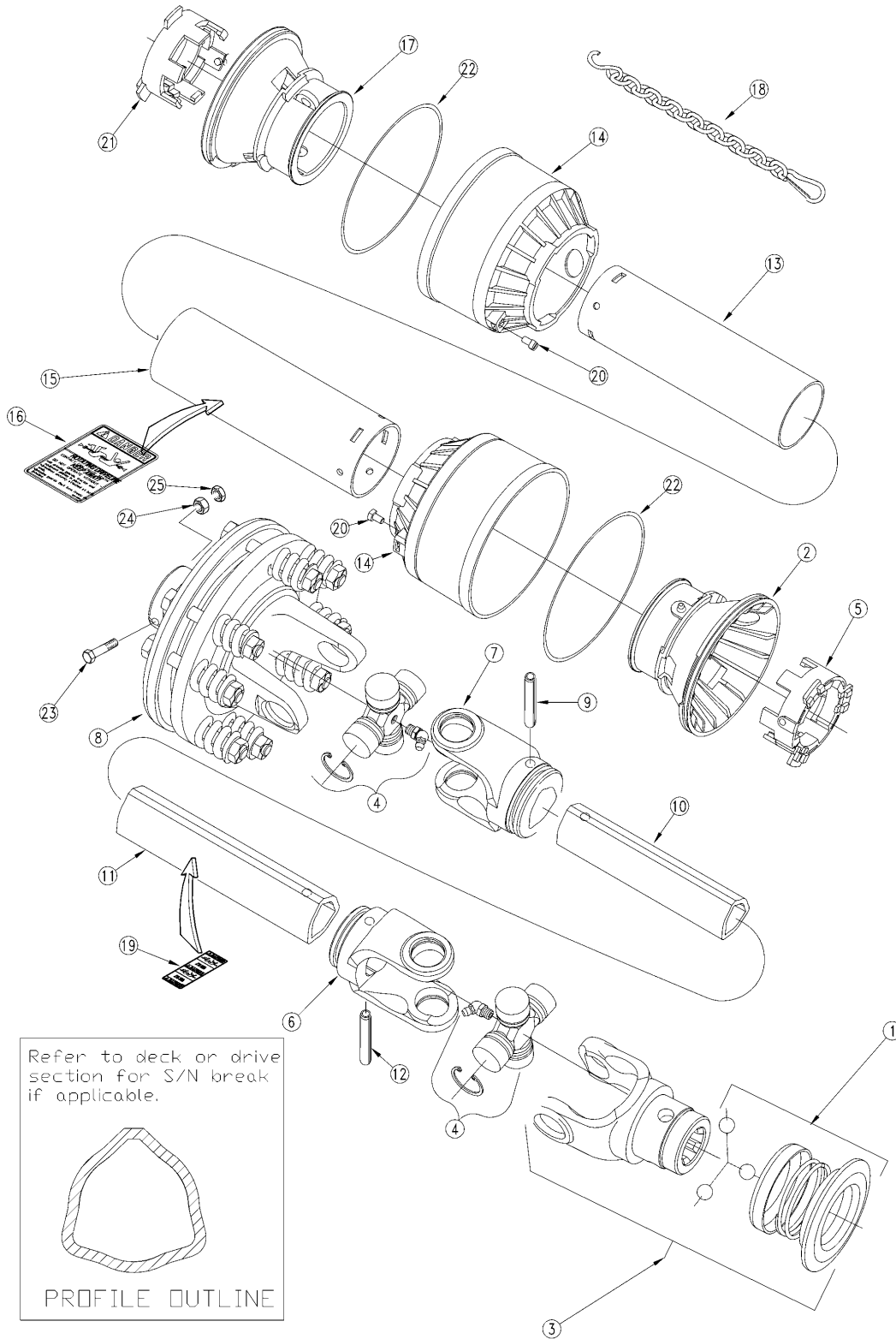
15054

Driveline W/ Clutch (826-022C)**Applies to RCR1860**

Ref	Part No.	Part Description	Comments	Revision
	dwg15054	Drawing Image Number		
	826-022C	DRIVELINE 2300 X 38 W/CLUTCH		
1.	1014012	EC YOKE ASSEMBLY (TRACT. END)		
2.	1004020	EC CROSS ASSEMBLY		
3.	1704027	EC OUTER TUBE YOKE		
4.	6330865	EC 8X65-DIN-1481 O/TUBE R/PIN		
5.	1524082	EC OUTER TUBE (1524085) 820MM		
6.	1525082	EC INNER TUBE		
7.	1704029	EC INNER TUBE YOKE		
8.	1344014	EC TORQ LMTR 2 FRICTION DISC		
9.	1784210	EC TUBE BEARING		
10.	1884201	EC OUTER TUBE RIGID CONE		
11.	1884203	EC SOFT CONE		
12.	1784212	EC PIN STOP ROTATION		
13.	1006065	EC ANTIROTATION CHAIN		
14.	1873074	EC OUTER TUBE		
15.	1872074	EC INNER TUBE		
16.	1884204	EC SOFT CONE		
17.	1884202	EC INNER TUBE RIGID CONE		
18.	1784211	EC TUBE BEARING		
19.	818-552C	DECAL DANGER PTO DRIVELINE		
20.	818-540C	DECAL DANGER GUARD MISS PTO		
21.	1004225	EC PULL COLLAR KIT		
22.	802-265C	HHCS 1/2-13X3 1/2 GR8	Not Included W/ Driveline	
23.	803-020C	NUT HEX 1/2-13 PLT	Not Included W/ Driveline	
24.	803-036C	NUT HEX JAM 1/2-13 PLT	Not Included W/ Driveline	

Driveline W/ Clutch (826-344C)

Applies to RCR1872



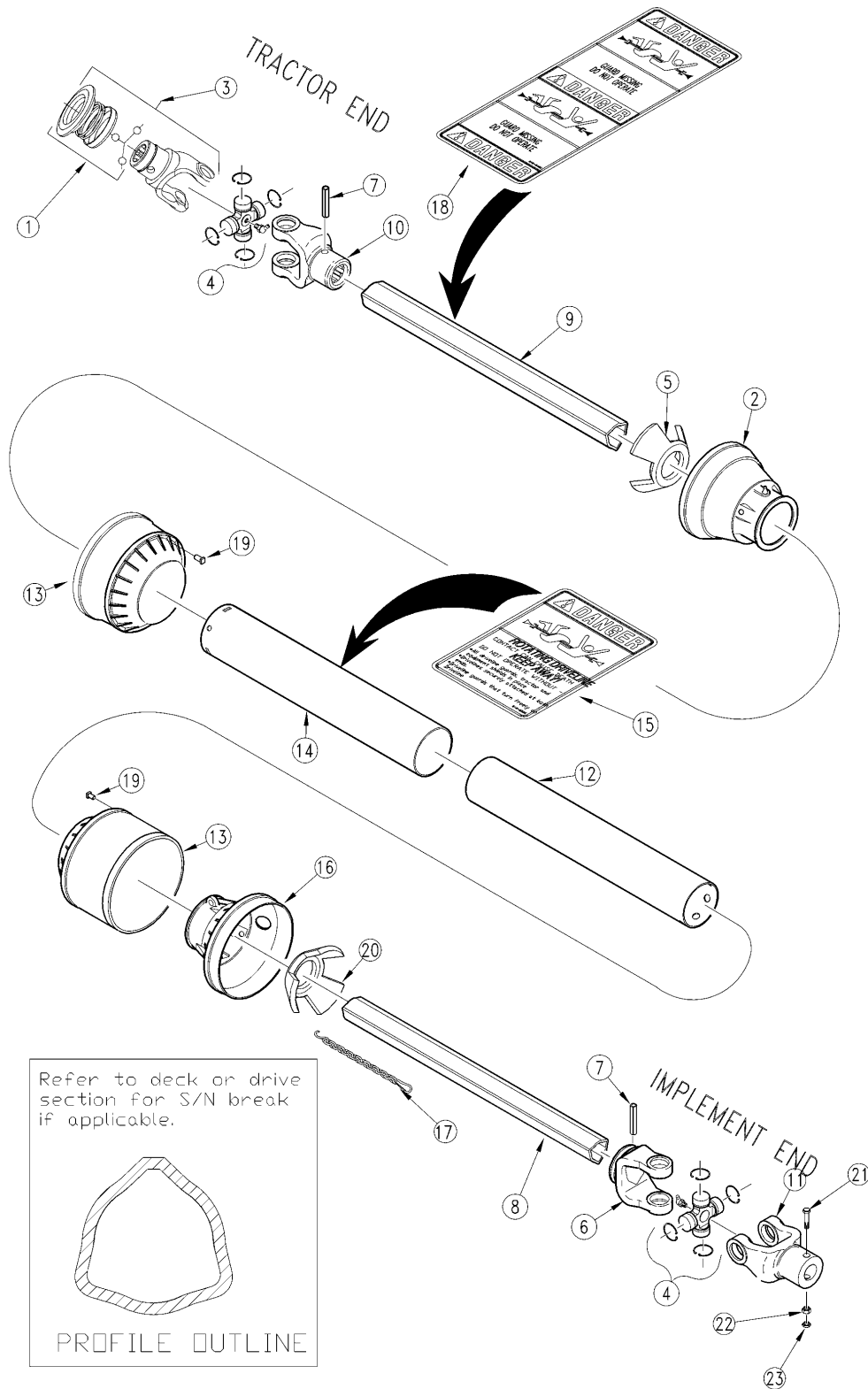
19792

Driveline W/ Clutch (826-344C)**Applies to RCR1872**

Ref	Part No.	Part Description	Comments	Revision
	dwg19792	Drawing Image Number		
	826-344C	PTO SLIP CLUTCH CAT3 X 43		
1.	1004225	EC PULL COLLAR KIT		
2.	1884201	EC OUTER TUBE RIGID CONE		
3.	1014012	EC YOKE ASSEMBLY (TRACT. END)		
4.	1004020	EC CROSS ASSEMBLY		
5.	1784210	EC TUBE BEARING		
6.	1704027	EC OUTER TUBE YOKE		
7.	1704029	EC INNER TUBE YOKE		
8.	1344014	EC TORQ LMTR 2 FRICTION DISC		
9.	6330855	EC 8X55-DIN-1481 O/TUBE R/PIN		
10.	1525095	EC 950MM INNER STOCK TUBE		
11.	1524095	EC 950MM OUT. STOCK LENGTH TB.		
12.	6330860	EC 08X60 1485DIN ROLL PIN		
13.	1872087	EC INNER TUBE 870MM		
14.	1884203	EC SOFT CONE		
15.	1873087	EC OUTER SHIELD TUBE 870MM		
16.	818-552C	DECAL DANGER PTO DRIVELINE		
17.	1884202	EC INNER TUBE RIGID CONE		
18.	044321	DRIVELINE SHIELD SAFETY CHAIN		
19.	818-540C	DECAL DANGER GUARD MISS PTO		
20.	1784212	EC PIN STOP ROTATION		
21.	1784211	EC TUBE BEARING		
22.	1213233	EC STIFFENING RING		
23.	802-265C	HHCS 1/2-13X3 1/2 GR8	Not Included W/ Driveline	
24.	803-020C	NUT HEX 1/2-13 PLT	Not Included W/ Driveline	
25.	803-036C	NUT HEX JAM 1/2-13 PLT	Not Included W/ Driveline	

Driveline W/ Shear Bolt (826-020C)

Applies to RCR1860



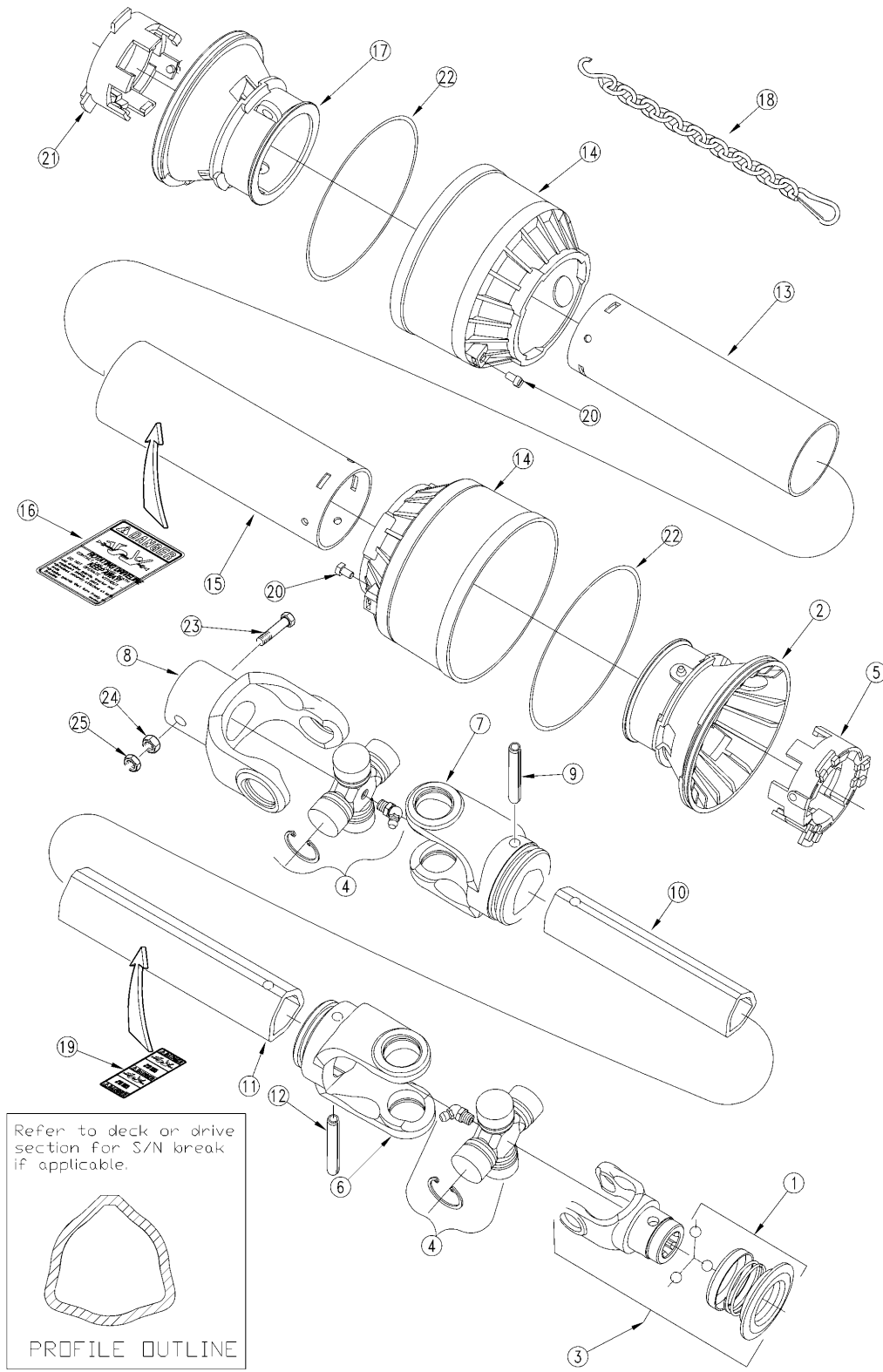
13206

Driveline W/ Shear Bolt (826-020C)**Applies to RCR1860**

Ref	Part No.	Part Description	Comments	Revision
	dwg13206	Drawing Image Number		
	826-020C	PTO 2300 X 38 SHEAR BOLT		
1.	1004225	EC PULL COLLAR KIT		
2.	1884201	EC OUTER TUBE RIGID CONE		
3.	1014012	EC YOKE ASSEMBLY (TRACT. END)		
4.	1004020	EC CROSS ASSEMBLY		
5.	1784210	EC TUBE BEARING		
6.	1704029	EC INNER TUBE YOKE		
7.	6330865	EC 8X65-DIN-1481 O/TUBE R/PIN		
8.	1525082	EC INNER TUBE		
9.	1524082	EC OUTER TUBE (1524085) 820MM		
10.	1704027	EC OUTER TUBE YOKE		
11.	1074033	EC YOKE ASSEMBLY (IMP. END)		
12.	1872074	EC INNER TUBE		
13.	1884203	EC SOFT CONE		
14.	1873074	EC OUTER TUBE		
15.	818-552C	DECAL DANGER PTO DRIVELINE		
16.	1884202	EC INNER TUBE RIGID CONE		
17.	044321	DRIVELINE SHIELD SAFETY CHAIN		
18.	818-540C	DECAL DANGER GUARD MISS PTO		
19.	1784212	EC PIN STOP ROTATION		
20.	1784211	EC TUBE BEARING		
21.	802-264C	HHCS 1/2-13X3 1/2 GR2	Not Included W/ Driveline	
22.	803-020C	NUT HEX 1/2-13 PLT	Not Included W/ Driveline	
23.	803-036C	NUT HEX JAM 1/2-13 PLT	Not Included W/ Driveline	

Driveline W/ Shear Bolt (826-343C)

Applies to RCR1872



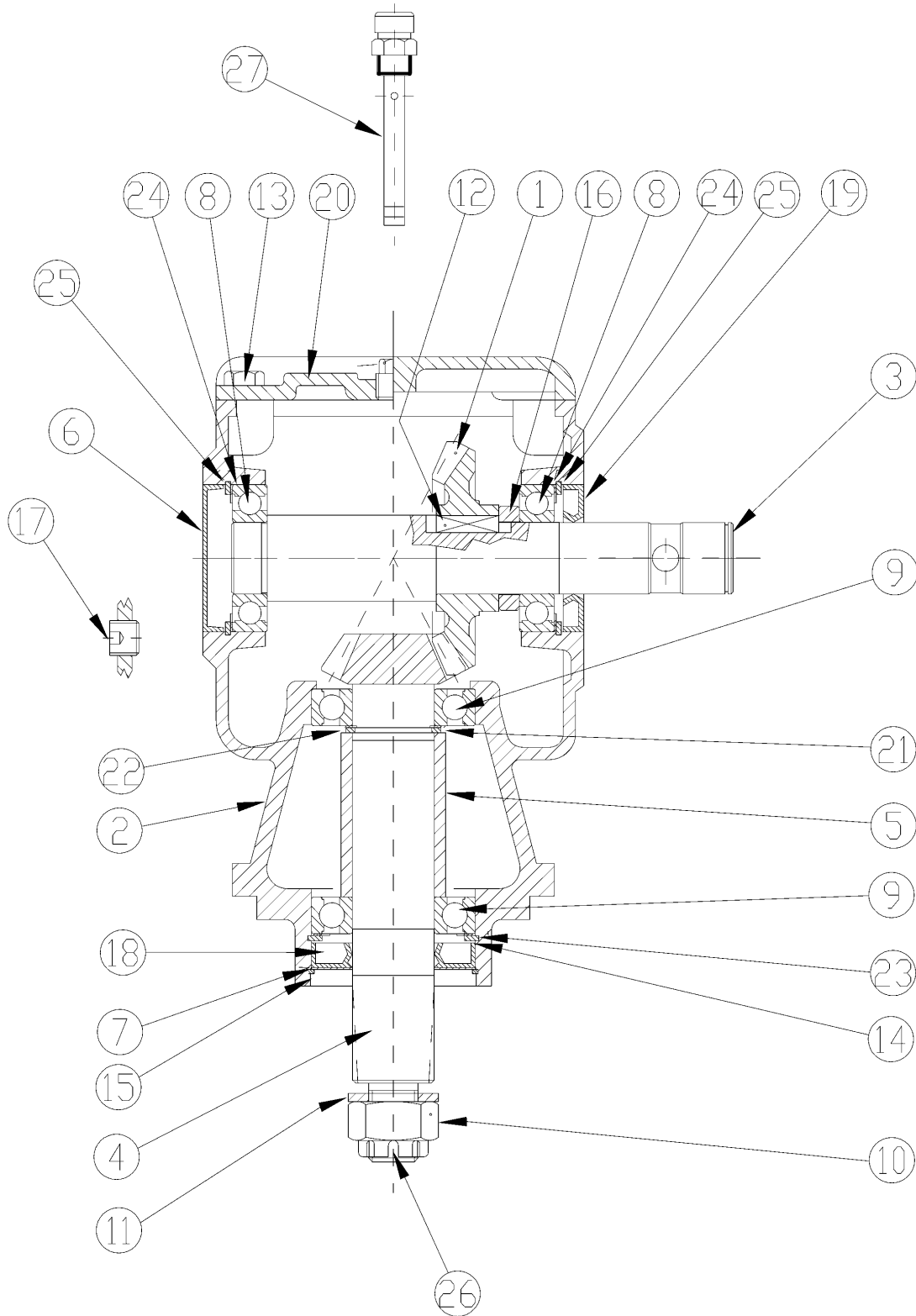
19791

Driveline W/ Shear Bolt (826-343C)**Applies to RCR1872**

Ref	Part No.	Part Description	Comments	Revision
	dwg19791	Drawing Image Number		
	826-343C	PTO SHEAR BOLT CAT3 X 43		
1.	1004225	EC PULL COLLAR KIT		
2.	1884201	EC OUTER TUBE RIGID CONE		
3.	1014012	EC YOKE ASSEMBLY (TRACT. END)		
4.	1004020	EC CROSS ASSEMBLY		
5.	1784210	EC TUBE BEARING		
6.	1704027	EC OUTER TUBE YOKE		
7.	1704029	EC INNER TUBE YOKE		
8.	1074033	EC YOKE ASSEMBLY (IMP. END)		
9.	6330855	EC 8X55-DIN-1481 O/TUBE R/PIN		
10.	1525095	EC 950MM INNER STOCK TUBE		
11.	1524095	EC 950MM OUT. STOCK LENGTH TB.		
12.	6330860	EC 08X60 1485DIN ROLL PIN		
13.	1872087	EC INNER TUBE 870MM		
14.	1884203	EC SOFT CONE		
15.	1873087	EC OUTER SHIELD TUBE 870MM		
16.	818-552C	DECAL DANGER PTO DRIVELINE		
17.	1884202	EC INNER TUBE RIGID CONE		
18.	044321	DRIVELINE SHIELD SAFETY CHAIN		
19.	818-540C	DECAL DANGER GUARD MISS PTO		
20.	1784212	EC PIN STOP ROTATION		
21.	1784211	EC TUBE BEARING		
22.	1213233	EC STIFFENING RING		
23.	802-264C	HHCS 1/2-13X3 1/2 GR2	Not Included W/ Driveline	
24.	803-020C	NUT HEX 1/2-13 PLT	Not Included W/ Driveline	
25.	803-036C	NUT HEX JAM 1/2-13 PLT	Not Included W/ Driveline	

Gearbox (826-383C)

Applies to RCR1860



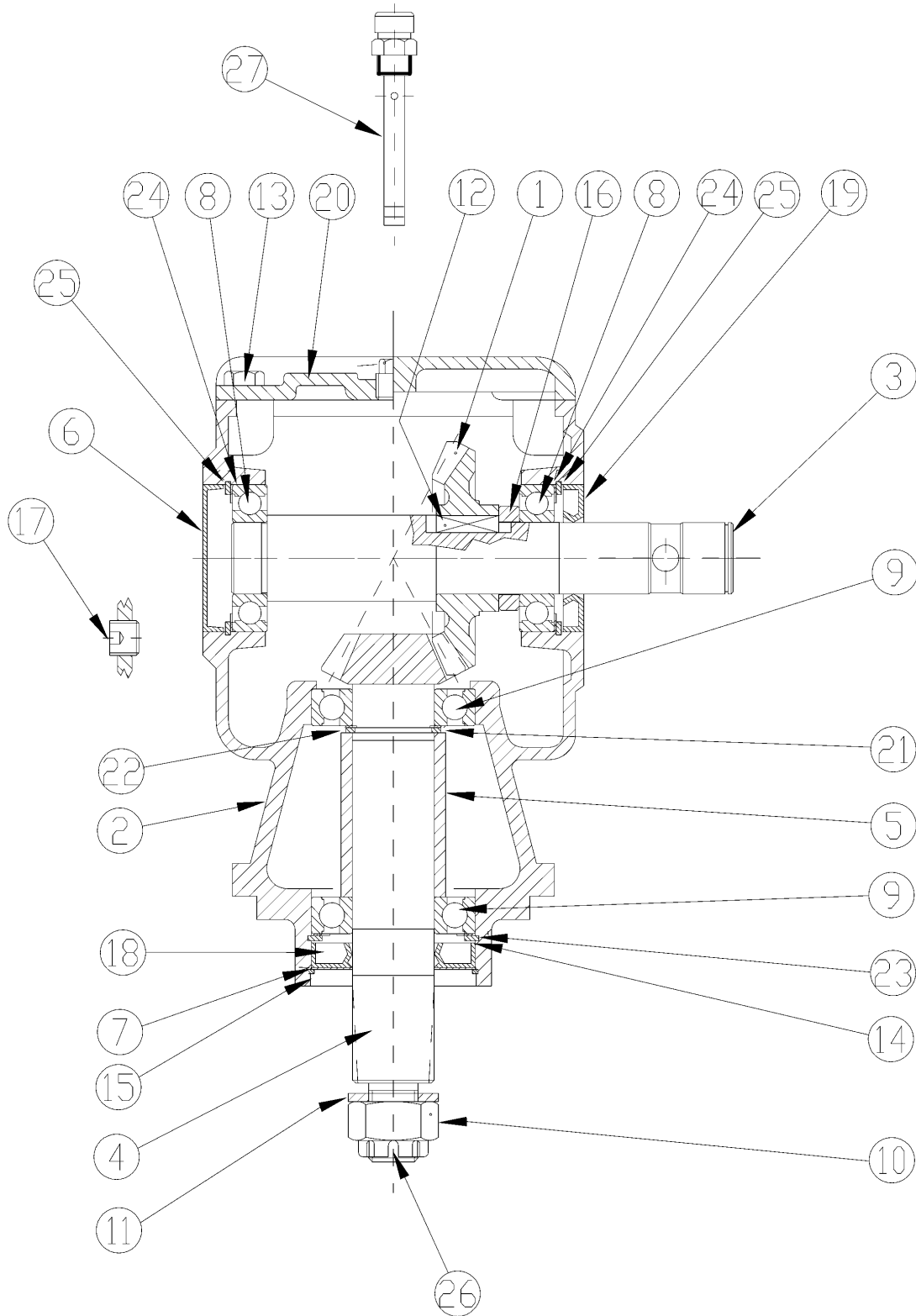
21448

Gearbox (826-383C)**Applies to RCR1860**

Ref	Part No.	Part Description	Comments	Revision
	dwg21448	Drawing Image Number		
	826-383C	Gearbox		
1.	0.135.5000.00	CO GEAR Z23 M5		
2.	0.209.0300.00	CO CASTING		
3.	0.209.2000.00	CO INPUT SHAFT 1.38 SMOOTH		
4.	0.135.6008.00	CO PINION Z12 M5		
5.	0.135.7105.00	CO SPACER		
6.	8.7.0.00744	CO CAP 72 X 10		
7.	1.135.7100.00	CO WASHER PROTECTIVE		
8.	822-166C	BEARING BALL 6207		
9.	822-188C	BALL BEARING 6208		
10.	8.2.2.00515	CO NUT, CASTLE M24 X 2		
11.	8.3.2.00409	CO FLAT WASHER 25 X 44 X 4		
12.	8.4.1.00993	CO PARALLEL KEY B 10 X 8 X 30		
13.	8.1.1.00501	CO BOLT M8X22 HHB		
14.	8.5.2.00030	CO SNAP RING 80 UNI 7437		
15.	8.5.3.00955	CO SNAP RING SB 81		
16.	0.209.7100.00	CO SPACER		
17.	8.6.6.00201	CO PLUG 3/8 GAS		
18.	8.7.1.00748	CO DOUBLE LIP SEAL 40X80X12		
19.	8.7.3.00055	CO OIL SEAL 35 X 72 X 10		
20.	0.209.1300.00	CO COVER		
21.	A244.501	CO SHIM 40.3 X 51.5 826-067C		
22.	8.5.1.00680	CO SNAP RING 40 UNI 7436		
23.	0.267.7500.00	CO SHIM 79.9		
24.	A.248.500	COMER SHIM KIT 71.7		
25.	8.5.2.00131	CO SNAP RING INT 72 UN17437		
26.	8.4.7.00516	CO COTTER PIN B5 X 50		
27.	0.209.7101.00	CO 3/8 GAS OIL LEVEL BREATHER		

Gearbox (826-384C)

Applies to RCR1872



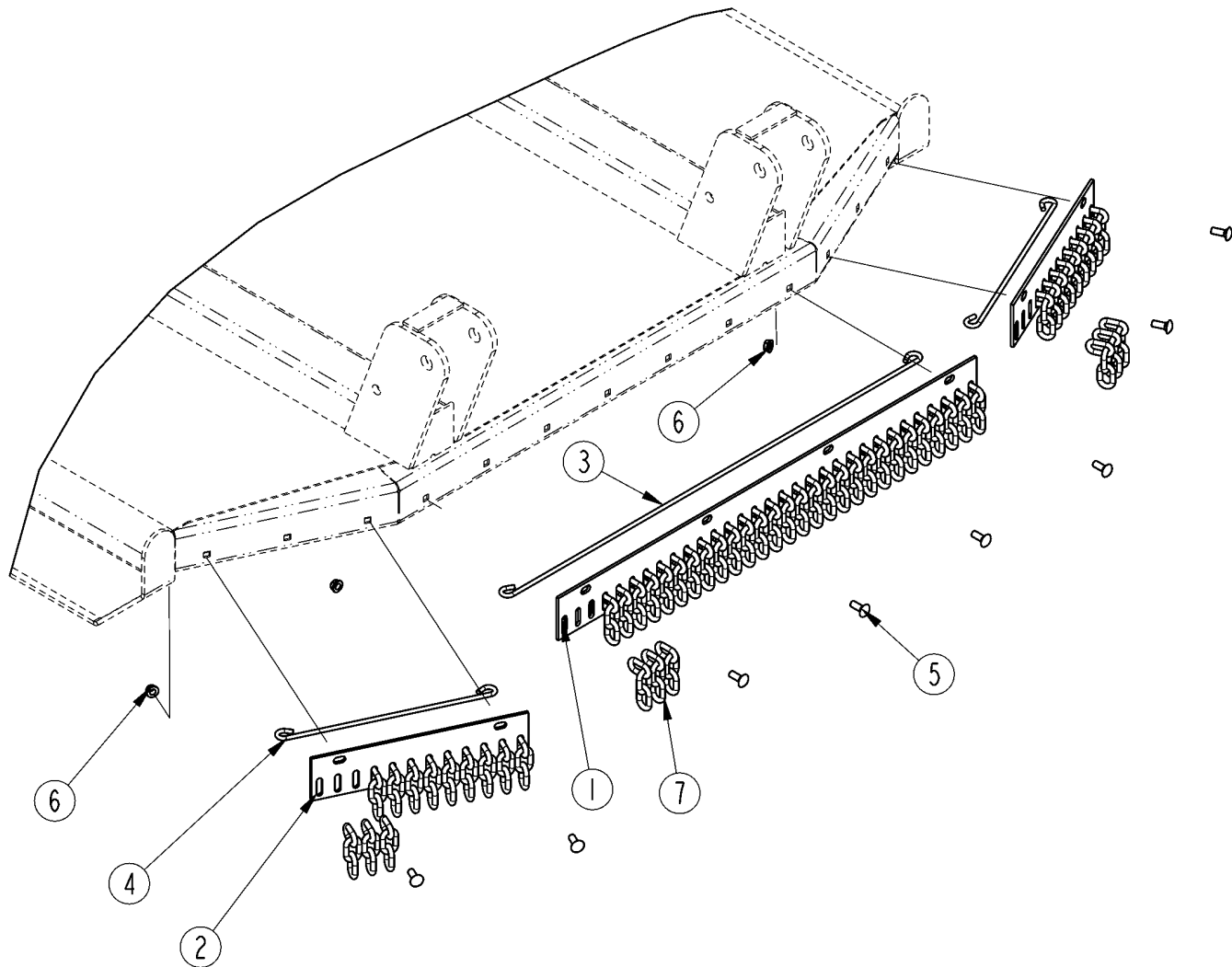
21449

Gearbox (826-384C)**Applies to RCR1872**

Ref	Part No.	Part Description	Comments	Revision
	dwg21449	Drawing Image Number		
	826-384C	Gearbox		
1.	0.131.5000.00	CO CROWN GEAR Z22 M5		
2.	0.209.0300.00	CO CASTING		
3.	0.209.2000.00	CO INPUT SHAFT 1.38 SMOOTH		
4.	0.135.6201.00	CO PINION Z15 M5		
5.	0.135.7105.00	CO SPACER		
6.	8.7.0.00744	CO CAP 72 X 10		
7.	1.135.7100.00	CO WASHER PROTECTIVE		
8.	822-166C	BEARING BALL 6207		
9.	822-188C	BALL BEARING 6208		
10.	8.2.2.00515	CO NUT, CASTLE M24 X 2		
11.	8.3.2.00409	CO FLAT WASHER 25 X 44 X 4		
12.	8.4.1.00993	CO PARALLEL KEY B 10 X 8 X 30		
13.	8.1.1.00501	CO BOLT M8X22 HHB		
14.	8.5.2.00030	CO SNAP RING 80 UNI 7437		
15.	8.5.3.00955	CO SNAP RING SB 81		
16.	0.209.7100.00	CO SPACER		
17.	8.6.6.00201	CO PLUG 3/8 GAS		
18.	8.7.1.00748	CO DOUBLE LIP SEAL 40X80X12		
19.	8.7.3.00055	CO OIL SEAL 35 X 72 X 10		
20.	0.209.1300.00	CO COVER		
21.	A244.501	CO SHIM 40.3 X 51.5		
22.	8.5.1.00680	CO SNAP RING 40 UNI 7436		
23.	0.267.7500.00	CO SHIM 79.9		
24.	A.248.500	COMER SHIM KIT 71.7		
25.	8.5.2.00131	CO SNAP RING INT 72 UN17437		
26.	8.4.7.00516	CO COTTER PIN B5 X 50		
27.	0.209.7101.00	CO 3/8 GAS OIL LEVEL BREATHER		

Front Chain Guard

Applies to RCR1860, RCR1872



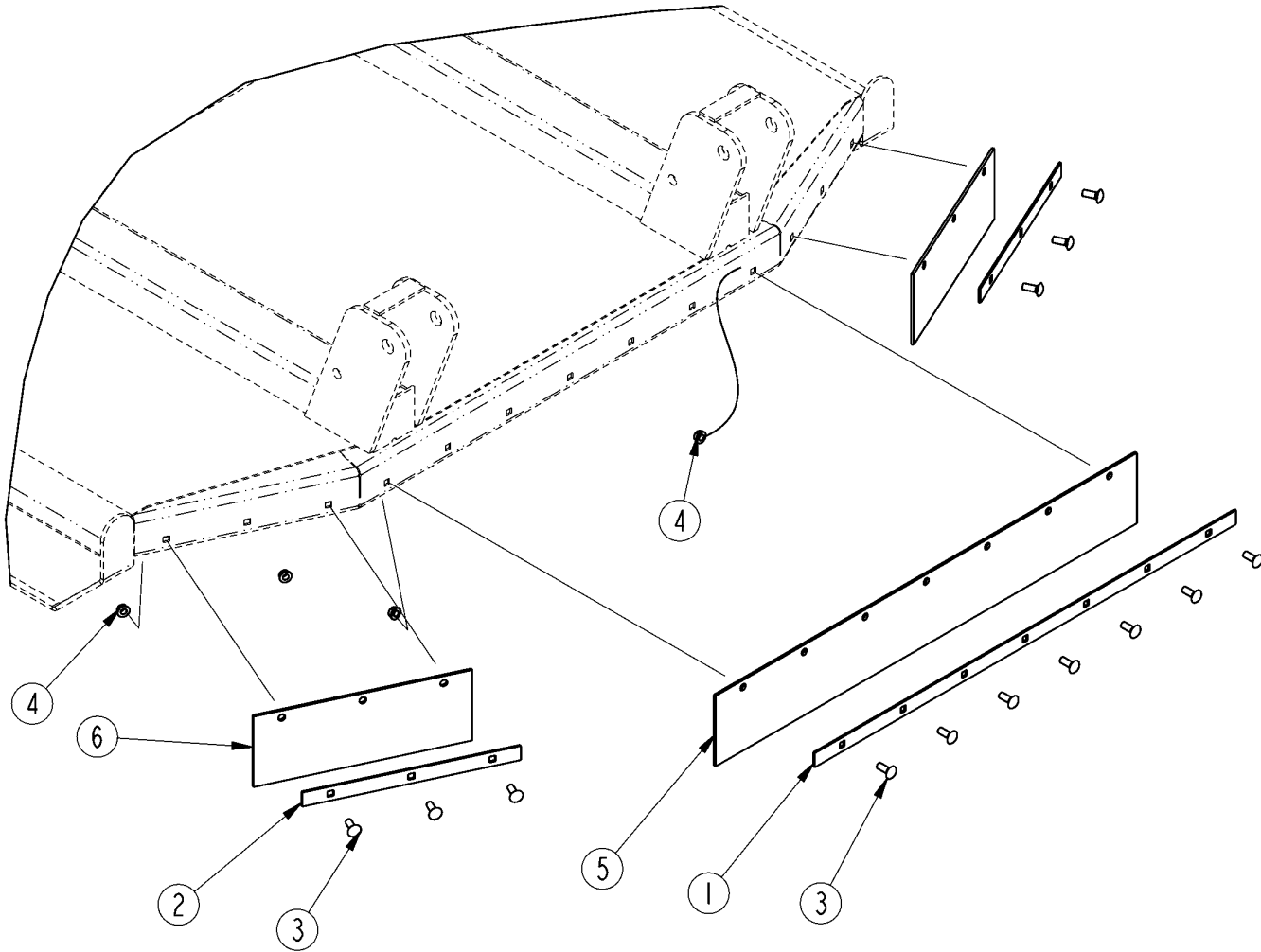
21411

Front Chain Guard**Applies to RCR1860, RCR1872**

Ref	Part No.	Part Description	Comments	Revision
	dwg21411	Drawing Image Number		
	312-845A	FRONT CHAIN GUARD COMPLETE RCR1860		
	312-847A	FRONT CHAIN GUARD COMPLETE RCR1872		
1.	326-219D	FRONT CHAIN GUARD BRKT. CTR.		
2.	326-220D	FRONT CHAIN GUARD BRKT. OUT.	RCR1860	
2.	326-222D	FRONT CHAIN GUARD BRKT. OUT.	RCR1872	
3.	326-223D	ROUND ROD .25 X 37.50		
4.	326-224D	ROUND ROD .25 X 16.50	RCR1860	
4.	318-142D	ROUND ROD 1/4 X 21	RCR1872	
5.	802-015C	RHSNB 3/8-16X1 GR5		
6.	803-198C	NUT HEX WHIZ 3/8-16 PLT		
7.	890-485C	CHAIN WELD 5/16 PROOF X 3 LINK		

Front Rubber Guard

Applies to RCR1860, RCR1872



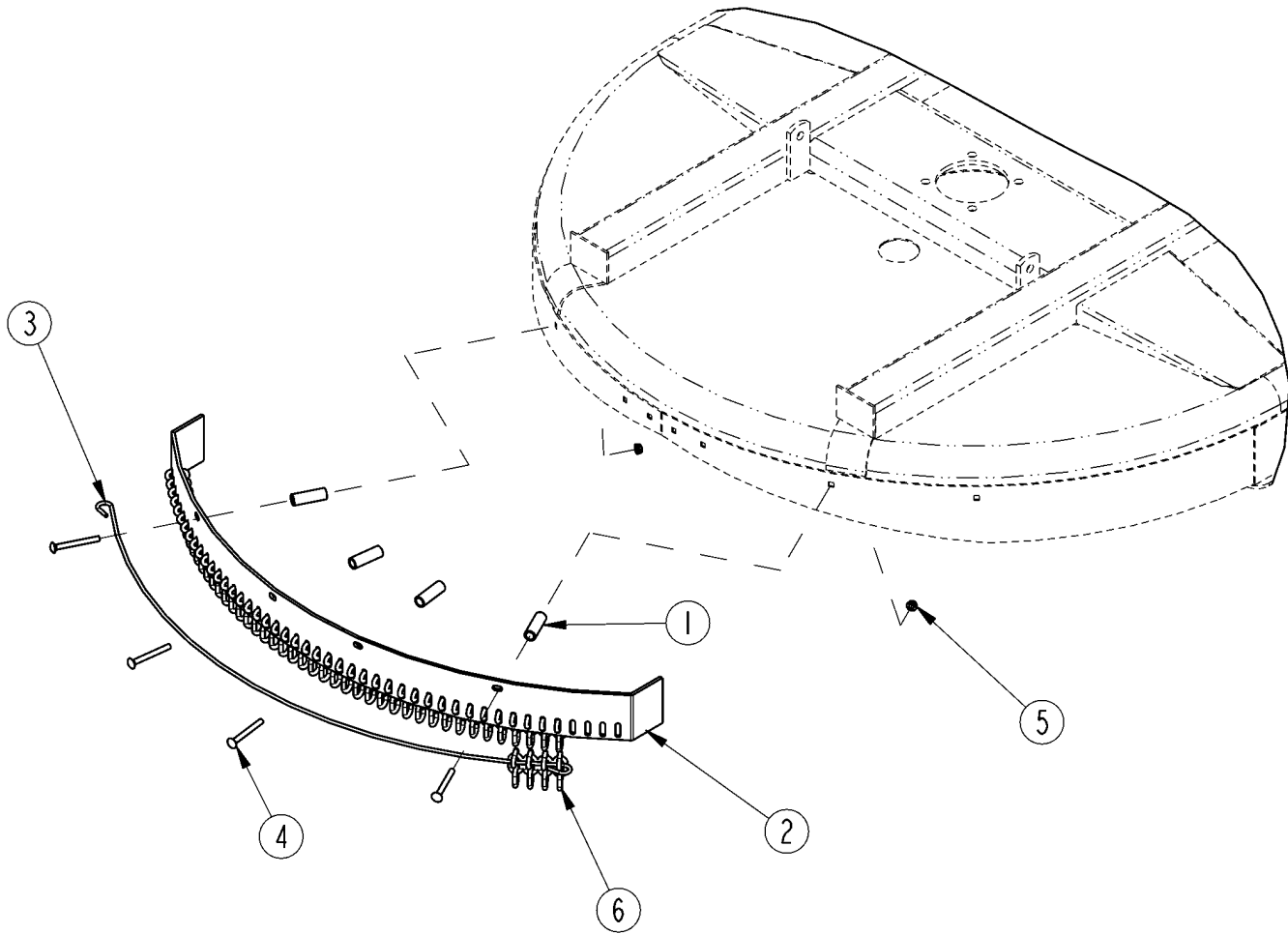
21413

Front Rubber Guard**Applies to RCR1860, RCR1872**

Ref	Part No.	Part Description	Comments	Revision
	dwg21413	Drawing Image Number		
	312-844A	FRONT RUBBER COMPLETE	RCR1860	
	312-846A	FRONT RUBBER COMPLETE	RCR1872	
1.	326-214D	FLAT STRAP		
2.	326-215D	FLAT STRAP	RCR1860	
2.	326-218D	FLAT STRAP	RCR1872	
3.	802-015C	RHSNB 3/8-16X1 GR5		
4.	803-198C	NUT HEX WHIZ 3/8-16 PLT		
5.	816-437C	RUBBER DEFLECTOR	RCR1860	
5.	816-440C	RUBBER DEFLECTOR	RCR1872	
6.	816-438C	RUBBER DEFLECTOR	RCR1860	
6.	816-439C	RUBBER DEFLECTOR	RCR1872	

Rear Chain Guard

Applies to RCR1860, RCR1872



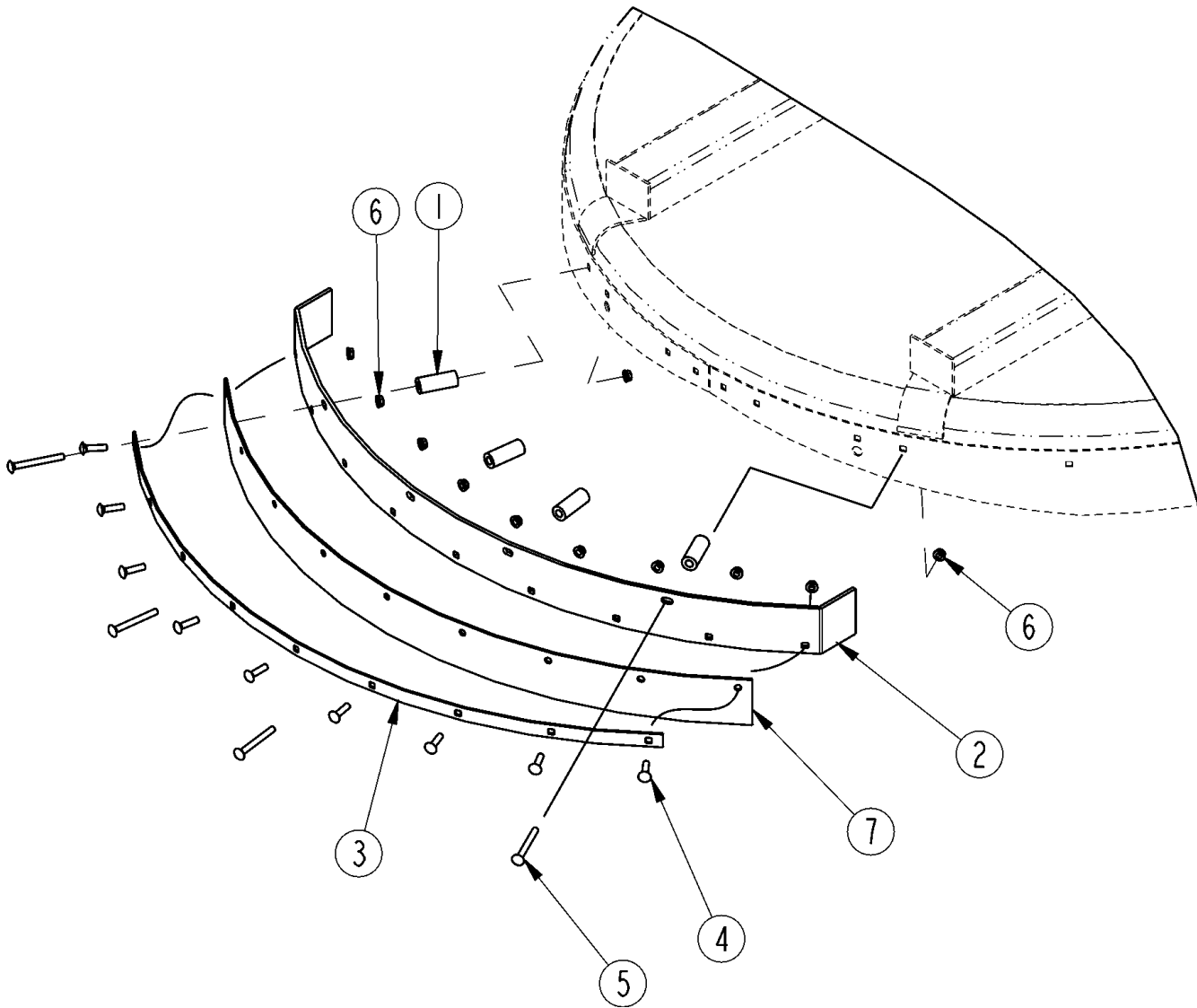
21410

Rear Chain Guard**Applies to RCR1860, RCR1872**

Ref	Part No.	Part Description	Comments	Revision
	dwg21410	Drawing Image Number		
	312-834A	REAR CHAIN GUARD COMPLETE	RCR1860	
	312-842A	REAR CHAIN GUARD COMPLETE	RCR1872 S/N 428178+	
1.	312-948D	DEFLECTOR SPACER		
2.	326-181D	REAR CHAINGUARD BRACKET	RCR1860	
2.	326-212D	REAR CHAIN GUARD BRACKET	RCR1872 S/N 428178+	
2.	326-186D	REAR CHAINGUARD BRACKET	RCR1872 S/N 428177-	
3.	326-182D	CHAIN ROD 1/4 X 56	RCR1860	
3.	326-213D	CHAIN ROD 1/4 X 65	RCR1872	
4.	802-647C	RHSNB 3/8-16X3 1/2 GR5		
5.	803-198C	NUT HEX WHIZ 3/8-16 PLT		
6.	890-485C	CHAIN WELD 5/16 PROOF X 3 LINKS		

Rear Rubber Guard

Applies to RCR1860, RCR1872



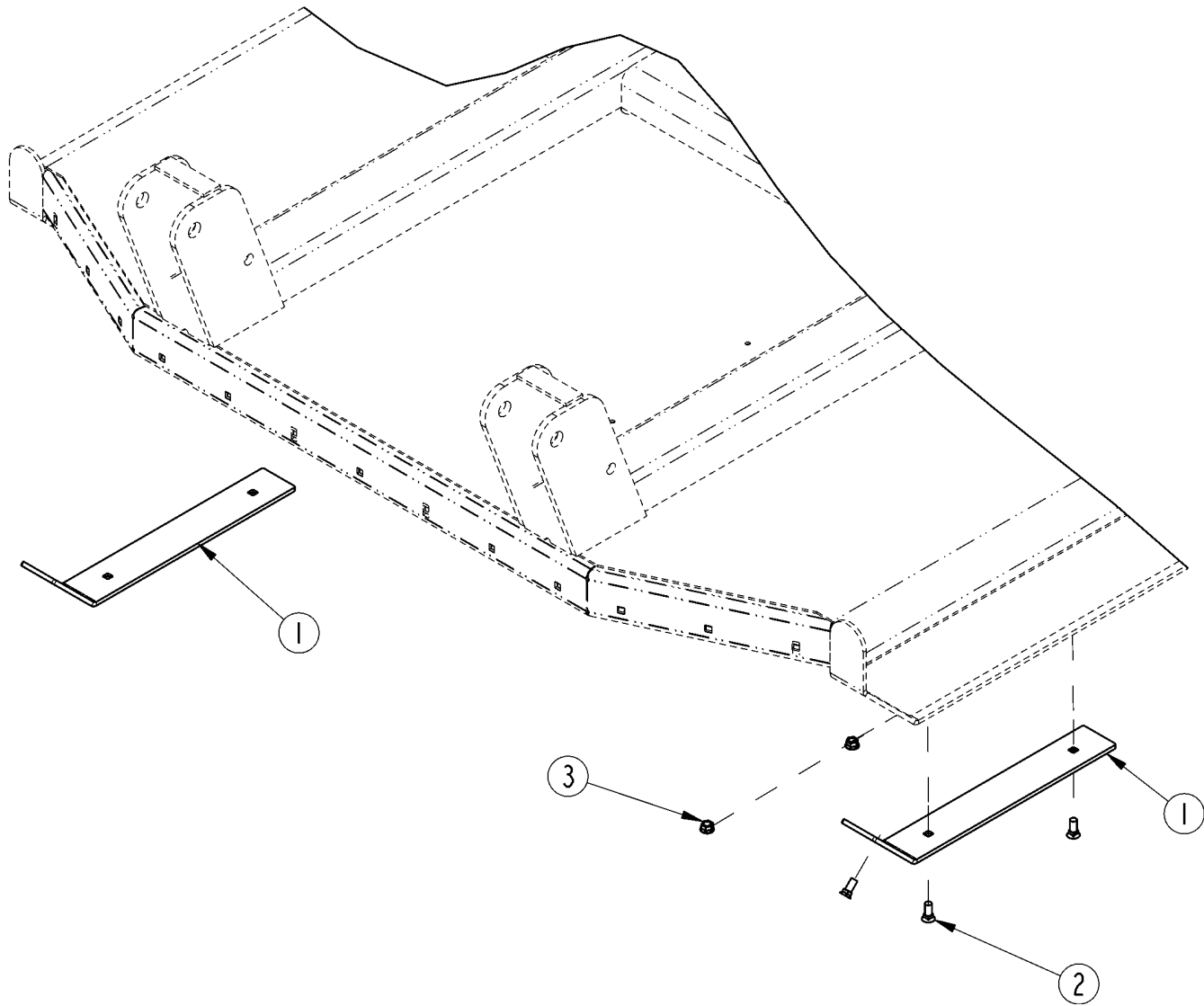
21412

Rear Rubber Guard**Applies to RCR1860, RCR1872**

Ref	Part No.	Part Description	Comments	Revision
	dwg21412	Drawing Image Number		
	312-652A	RCR1860 REAR RUBBER ASSY.		
	312-651A	RCR1872 REAR RUBBER ASSY.		
1.	312-948D	DEFLECTOR SPACER		
2.	312-952D	REAR RUBBER DEF. RCR15 & 1660	RCR18	
2.	312-949D	REAR RUBBER DEF. RCR15 & 1672	RCR18	
3.	312-953D	DEFLECTOR STRAP RCR15 & 1660	RCR18	
3.	312-950D	DEFLECTOR STRAP RCR15 & 1672	RCR18	
4.	802-453C	RHSNB 3/8-16X1 1/2 GR5		
5.	802-647C	RHSNB 3/8-16X3 1/2 GR5		
6.	803-198C	NUT HEX WHIZ 3/8-16 PLT		
7.	816-310C	RUBBER DEFLECTOR RCR15 & 1660	RCR18	
7.	816-309C	RUBBER DEFLECTOR RCR15 & 1672	RCR18	

Skid Shoe Kit

Applies to RCR1860, RCR1872



25895

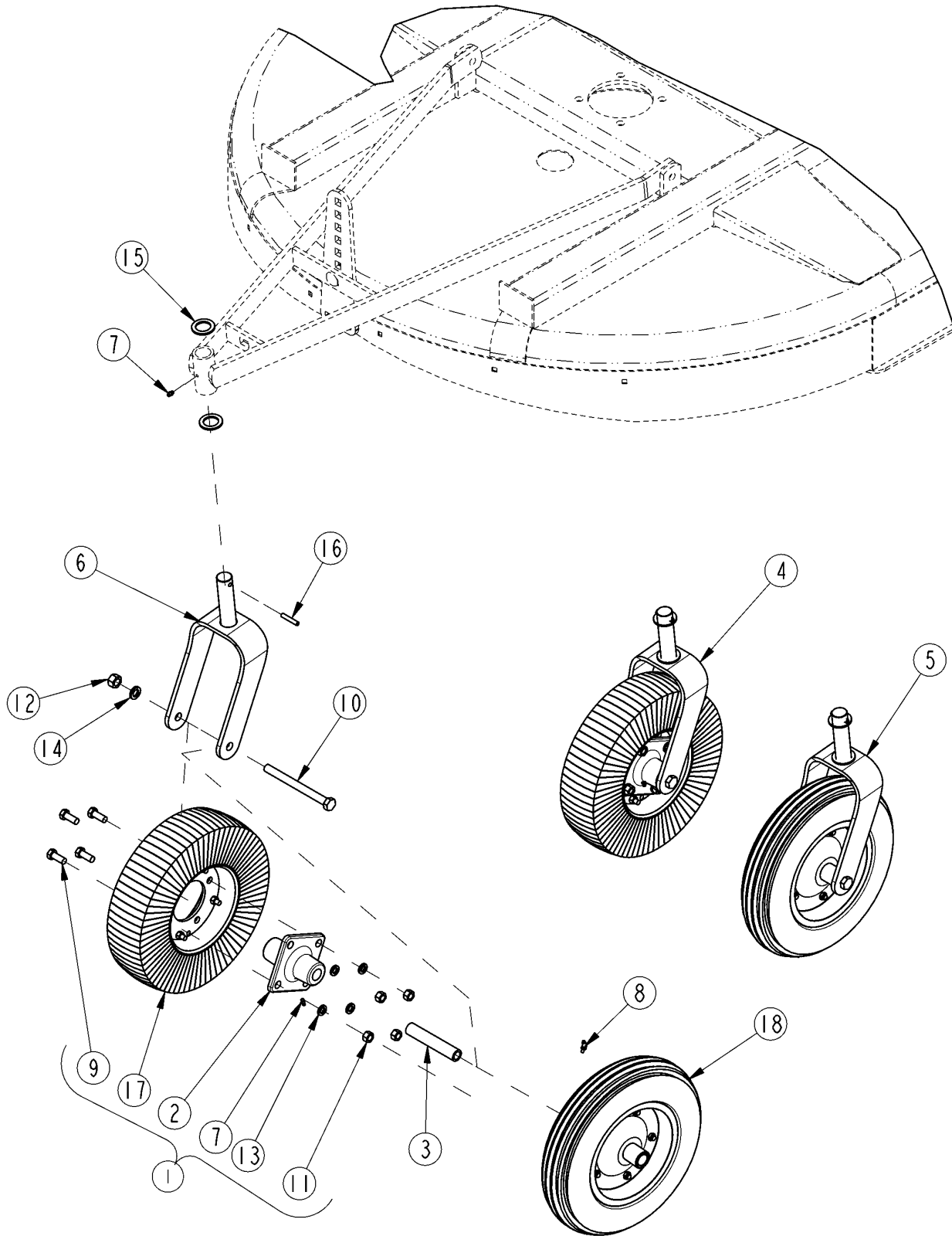
Skid Shoe Kit

Applies to RCR1860, RCR1872

Ref	Part No.	Part Description	Comments	Revision
	dwg25895 326-120A	Drawing Image Number RCR18 SKID SHOE KIT	S/N _____ + Accessory Order Thru Parts Department	
		*		
1.	326-221D	SKID SHOE RCR18		
2.	802-603C	PLOW 3/8-16X1 GR5		
3.	803-209C	NUT FLANGE LOCK 3/8-16 PLT		

Tail Wheel and Yoke

Applies to RCR1860, RCR1872



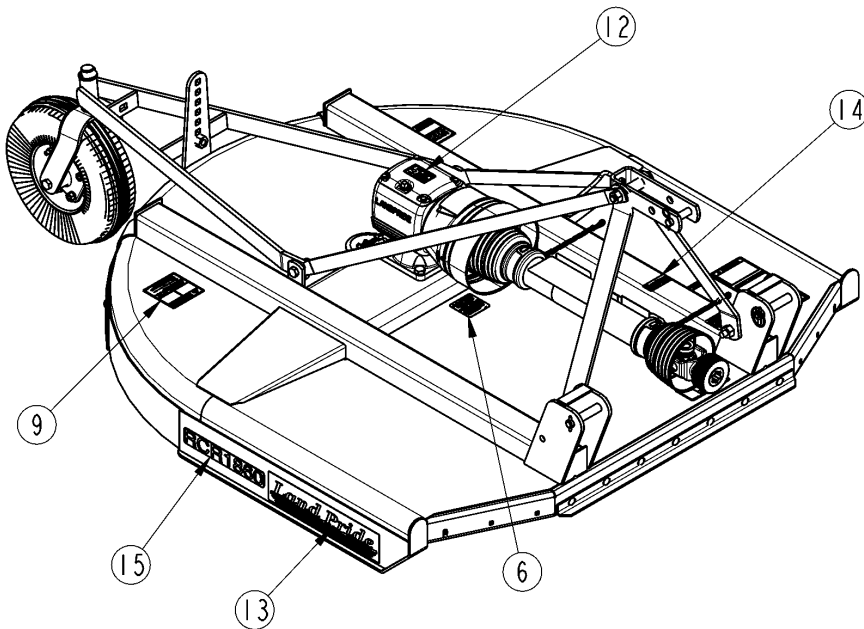
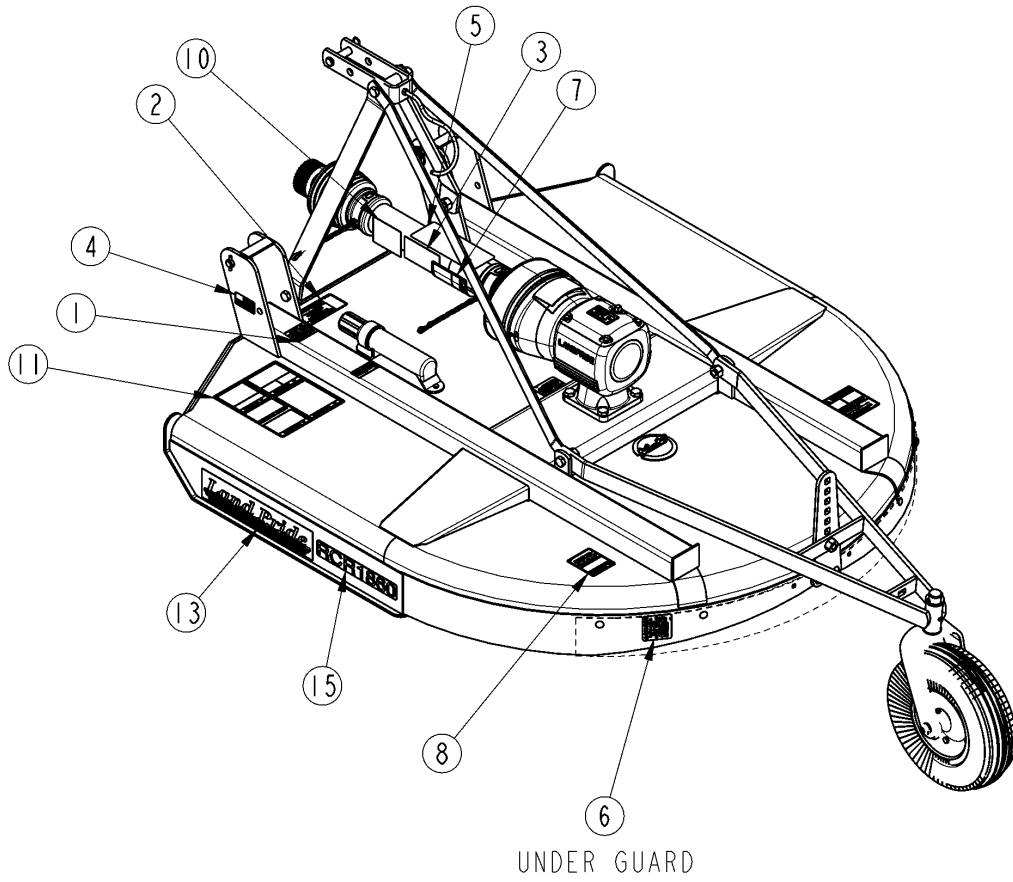
21414

Tail Wheel and Yoke**Applies to RCR1860, RCR1872**

Ref	Part No.	Part Description	Comments	Revision
	dwg21414	Drawing Image Number		
1.	312-008S	TAILWHEEL HUB AND WHEEL ASSY		
2.	312-020D	TAILWHEEL HUB		
3.	312-021D	TUBE 1 OD X 5/32 WL X 5 3/8 LG		
4.	312-553A	LAMINATED TIRE/WHEEL & YOKE		
5.	312-554A	RUBBER TIRE/WHEEL & YOKE		
6.	312-561H	FORK WELDMENT		
7.	800-080C	GREASE ZERK 1/4-28 THD FORMING		
8.	800-316C	GREASE ZERK 1/4-28 X 45-DEG LG		
9.	802-034C	HHCS 1/2-13X1 1/4 GR5		
10.	802-262C	HHCS 5/8-11X7 GR5		
11.	803-020C	NUT HEX 1/2-13 PLT		
12.	803-021C	NUT HEX 5/8-11 PLT		
13.	804-015C	WASHER LOCK SPRING 1/2 PLT		
14.	804-022C	WASHER LOCK SPRING 5/8 PLT		
15.	804-062C	WASHER MACH 1.88 X 1.25 X 10GA		
16.	805-177C	PIN ROLL 5/16 X 1 3/4 PLT		
17.	814-058C	TIRE & WHEEL LAMINATED 4.0 X 8		
18.	814-065C	WHL&SOLID RBR TIRE 4 X 16		

Label Placement

Applies to RCR1860, RCR1872



21409

Label Placement**Applies to RCR1860, RCR1872**

Ref	Part No.	Part Description	Comments	Revision
	dwg21409	Drawing Image Number		
1.	818-130C	DECAL CAUTION 540 RPM		
2.	818-142C	DECAL DANGER PTO DRIVELINE EN		
3.	818-173C	DECAL PTO 15/16 SERIES RC S/B	RCR1860	
3.	818-175C	DECAL PTO 15/16 SERIES RC SLIP	RCR1860	
3.	838-414C	DECAL PTO 1672 RCR S/B	RCR1872	
3.	838-413C	DECAL PTO 1672 RCR SLIP	RCR1872	
4.	818-190C	DECAL FLAG		
5.	818-540C	DECAL DANGER GUARD MISS PTO		
6.	818-543C	DECAL DANGER PD GUARD MISS SML		
7.	818-552C	DECAL DANGER PTO DRIVELINE		
8.	818-556C	DECAL DANGER THROWN OBJ CUTTER		
9.	818-564C	DECAL DANGER ROTATING BLADES		
10.	818-680C	DECAL IMPORTANT - SLIP CLUTCH		
11.	818-830C	DECAL SAFETY COMBO SUNWEST		
12.	818-862C	DECAL 5 YEAR GEARBOX WARRANTY		
13.	818-901C	DECAL LANDPRIDE 16" - BROWN	Beige Unit	
13.	838-965C	DECAL LANDPRIDE 16" BROWN/GOLD	Green, Orange, Red & Blue Unit	
14.	838-517C	DECAL QUICK HITCH SYSTEM		
15.	838-626C	DECAL RCR1860	Beige Unit	
15.	838-905C	DECAL RCR1860-GOLD	Green, Orange, Red & Blue Unit	
15.	838-627C	DECAL RCR1872	Beige Unit	
15.	838-906C	DECAL RCR1872-GOLD	Green, Orange, Red & Blue Unit	



Part Number Index

The Part Number Index is a numeric index of all part numbers included in this manual. The index shows what page(s) the part is used on.

Part Number	Page	Part Number	Page	Part Number	Page	Part Number	Page
0.131.5000.00	25	312-837H81	7	802-015C	9, 27, 29	822-166C	23, 25
0.135.5000.00	23	312-837H82	7	802-034C	37	822-188C	23, 25
0.135.6008.00	23	312-837H83	7	802-055C	9, 11	826-020C	11, 19
0.135.6201.00	25	312-837H84	7	802-062C	9	826-022C	11, 15
0.135.7105.00	23, 25	312-841H	11	802-149C	7	826-240C	11
0.209.0300.00	23, 25	312-842A	31	802-262C	37	826-343C	11, 21
0.209.1300.00	23, 25	312-844A	29	802-264C	11, 19, 21	826-344C	11, 17
0.209.2000.00	23, 25	312-845A	27	802-265C	11, 15, 17	826-383C	11, 23
0.209.7100.00	23, 25	312-846A	29	802-277C	11	826-383C81	11
0.209.7101.00	23, 25	312-847A	27	802-453C	9, 33	826-383C82	11
0.267.7500.00	23, 25	312-849D	9	802-464C	9	826-383C83	11
044321	17, 19, 21	312-850A	9	802-558C	11	826-383C84	11
1.135.7100.00	23, 25	312-851D	9	802-603C	35	826-384C	11, 25
1004020	15, 17, 19, 21	312-886D	9	802-647C	31, 33	826-384C81	11
1004225	15, 17, 19, 21	312-886D81	9	803-014C	9	826-384C82	11
1006065	15	312-886D82	9	803-020C	11, 15, 17, 19, 21, 37	826-384C83	11
1014012	15, 17, 19, 21	312-886D83	9	803-021C	37	826-384C84	11
1074033	19, 21	312-886D84	9	803-036C	11, 15, 17, 19, 21	838-413C	39
1135007	13	312-948D	31, 33	803-148C	11	838-414C	39
1135008	13	312-949D	33	803-170C	11	838-517C	39
1213233	17, 21	312-950D	33	803-198C	7, 9, 27, 29, 31, 33	838-626C	39
1215012	13	312-952D	33	803-209C	35	838-627C	39
1344014	13, 15, 17	312-953D	33	803-231C	9	838-905C	39
1524082	15, 19	318-142D	27	803-255C	9	838-906C	39
1524095	17, 21	326-039A	11	803-271C	9	838-965C	39
1525082	15, 19	326-040A	11	804-007C	9	840-273C	9
1525095	17, 21	326-120A	35	804-009C	11	890-485C	27, 31
1704014	13	326-178D	9	804-010C	11	A.248.500	23, 25
1704015	13	326-181D	31	804-012C	9	A244.501	23, 25
1704027	15, 17, 19, 21	326-182D	31	804-013C	9	dwg13206	19
1704029	15, 17, 19, 21	326-186D	31	804-015C	37	dwg15054	15
1705009	13	326-209D	9	804-022C	11, 37	dwg15203	13
1784210	15, 17, 19, 21	326-210D	9	804-062C	37	dwg19791	21
1784211	15, 17, 19, 21	326-212D	31	804-070C	11	dwg19792	17
1784212	15, 17, 19, 21	326-213D	31	804-147C	11	dwg21399	9
1805010	13	326-214D	29	805-015C	9	dwg21405	7
1872074	15, 19	326-215D	29	805-017C	11	dwg21406	11
1872087	17, 21	326-218D	29	805-041C	9	dwg21409	39
1873074	15, 19	326-219D	27	805-126C	9	dwg21410	31
1873087	17, 21	326-220D	27	805-142C	9	dwg21411	27
1884201	15, 17, 19, 21	326-221D	35	805-143C	9	dwg21412	33
1884202	15, 17, 19, 21	326-222D	27	805-177C	37	dwg21413	29
1884203	15, 17, 19, 21	326-223D	27	805-207C	9	dwg21414	37
1884204	15	326-224D	27	814-058C	37	dwg21448	23
303-017S	9	326-231D	7	814-065C	37	dwg21449	25
312-008S	37	326-242D	7	816-309C	33	dwg25895	35
312-020D	37	326-245D	9	816-310C	33		
312-021D	37	38/11	11	816-437C	29		
312-075D	11	6330855	17, 21	816-438C	29		
312-082D	11	6330860	17, 21	816-439C	29		
312-089D	11	6330865	15, 19	816-440C	29		
312-553A	37	6691080	13	816-504C	9		
312-554A	37	8.1.1.00501	23, 25	818-130C	39		
312-557S	11	8.2.2.00515	11, 23, 25	818-142C	39		
312-561H	37	8.3.2.00409	23, 25	818-173C	39		
312-579S	11	8.4.1.00993	23, 25	818-175C	39		
312-609D	9	8.4.7.00516	23, 25	818-190C	39		
312-610D	9	8.5.1.00680	23, 25	818-540C	15, 17, 19, 21, 39		
312-651A	33	8.5.2.00030	23, 25	818-543C	39		
312-652A	33	8.5.2.00131	23, 25	818-552C	15, 17, 19, 21, 39		
312-808D	11	8.5.3.00955	23, 25	818-556C	39		
312-815H	11	8.6.6.00201	23, 25	818-564C	39		
312-832H	7	8.7.0.00744	23, 25	818-680C	39		
312-832H81	7	8.7.1.00748	23, 25	818-830C	39		
312-832H82	7	8.7.3.00055	23, 25	818-862C	39		
312-832H83	7	800-079C	11	818-901C	39		
312-832H84	7	800-080C	9, 37	820-198C	11		
312-833H	9	800-316C	37	820-199C	11		
312-834A	31	800-320C	9				
312-837H	7	802-005C	9				

This Page Intentionally Left Blank



Great Plains Manufacturing, Inc.

Corporate Office: P.O. Box 5060
Salina, Kansas 67402-5060 USA

www.landpride.com
